

DESCRIPTION

Cylinders series "U" comply with ISO 6432 standard. The basic version is available for every diameter, while the rear axial feed, the magnetic piston and the adjustable cushions versions are produced from Ø 16 to Ø 25.

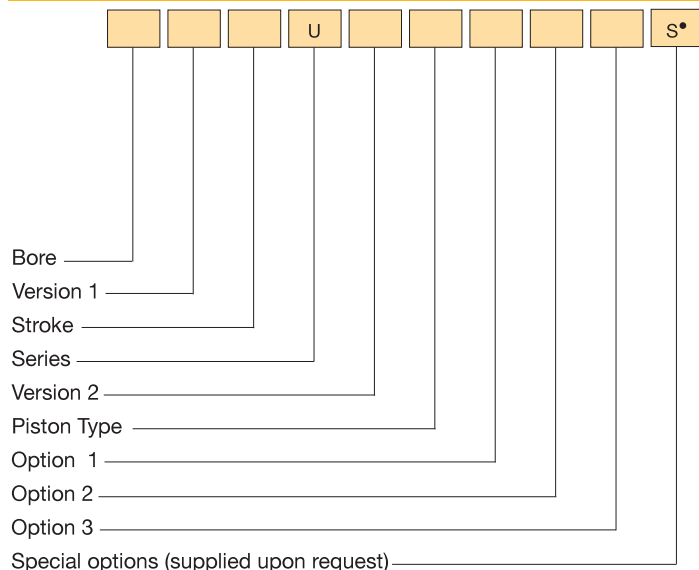
TECHNICAL DATA

Operating pressure	1 ÷ 10 bar
Working temperature	0 ÷ +80 °C (-20 °C with dry air) 0 ÷ +150 °C with seals for high temperatures (-10 °C with dry air)
Fluid	Filtered, unlubricated or continuous lubricated compressed air
Versions	Double acting; Single acting front spring; Single acting rear spring; Through rod; Flat rear cap (rear axial feed).
Bore	Ø 8, 10, 12, 16, 20, 25
Port size	Ø 8 ÷ 16 = M5 Ø 20 - 25 = G1/8
Standard strokes (mm)	10, 15, 20, 25, 30, 40, 50, 60, 70, 80, 90, 100, 120, 125, 140, 150, 160, 180, 200, 250, 300, 350, 400, 500
Decelerators length	Ø 16 20 25 mm 17 18 18.5
Maximum strokes (mm)	Ø 8 - 10 = 150; Ø 12 - 16 = 250; Ø 20 - 25 = 1000
Max. strokes single acting (mm)	Ø 8 ÷ 12 = 20; Ø 16 ÷ 25 = 50

MATERIALS

End caps	Anodized aluminium alloy
Cylinder barrel	Extruded tube, AISI 304 stainless steel
Barrel-end cover fixing type	Irreversible calking with dual-seal system, mechanical and pneumatic
Piston rod	AISI 303 rolled stainless steel
Rod and end cap nuts	Steel Stainless steel (supplied upon request)
Decelerators ogives	Brass
Piston rod bearing	Self-lubricating sintered bronze
Piston	Aluminium alloy with acetal resin piston bearing (supplied with and without magnet)
Piston seals	NBR rubber - Viton®
Springs	Springs steel

ORDER KEY



P.S.: *Magnetic sensors* FM100 - FM157 (see chapter magnetic sensors from page. 1.93)
• See technical data on page 0.12

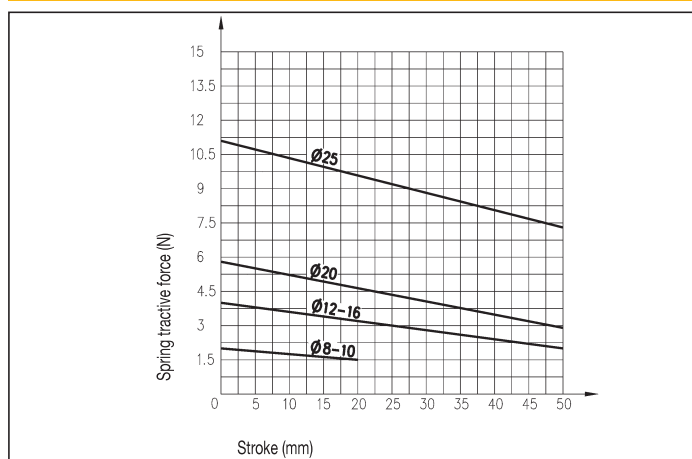
ORDER EXAMPLES

Basic cylinder Ø16, 50 mm stroke, double acting, non-magnetic piston type 16/50 UDC

Basic cylinder Ø20, 50 mm stroke, double acting, magnetic piston type, cushioned 20/50 UDEX



SPRING THEORETICAL TRACTIVE FORCE



VERSION 1

/ Basic cylinder R Through rod
H Flat rear cup (rear axial feed)

VERSION 2

D Double acting Y Single acting rear spring*
S Single acting front spring

PISTON TYPE

C Non-magnetic E Magnetic

OPTION 1

X Cushioned**

OPTION 2

Z Fit for piston rod locking unit*** A With non-rotating hexagonal piston rod***

OPTION 3

2 Seals for high temperatures****

* Dimensions "XC" for version "YE" is increased of 10 mm

** Supplied from Ø 16 to Ø 25

*** Supplied for Ø 20 and Ø 25

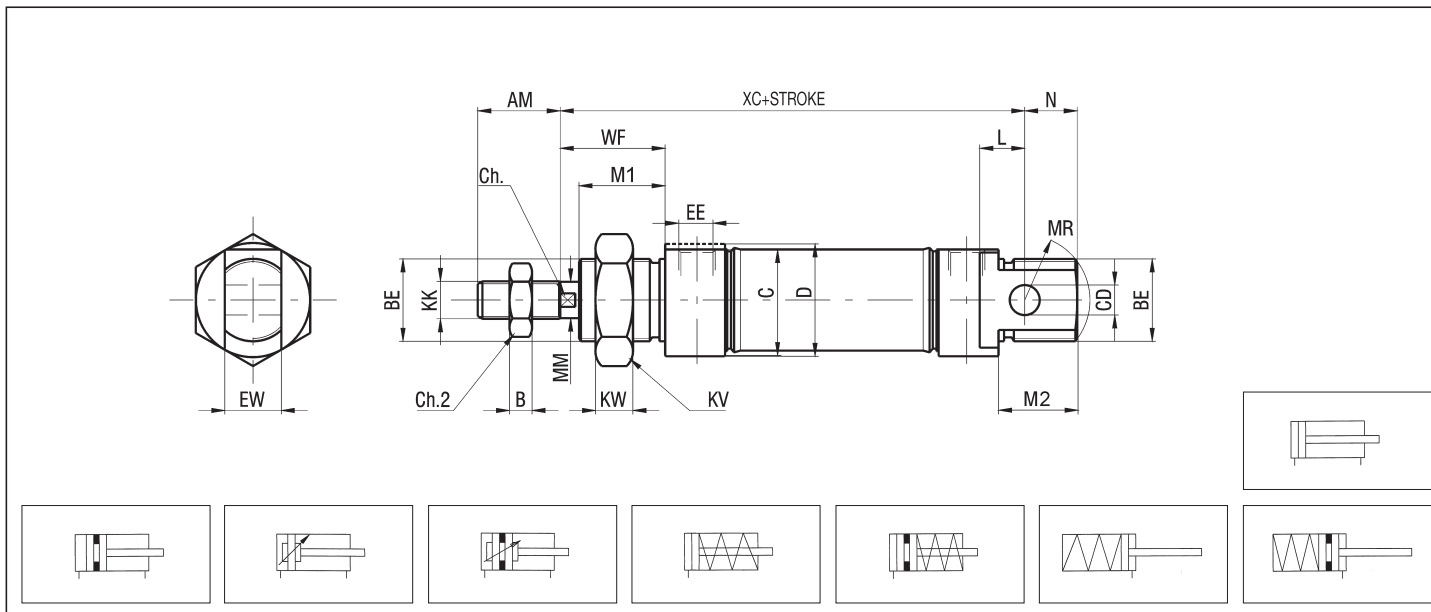
**** Supplied only with non-magnetic piston type and standard piston rod

Cylinder Ø25, through rod, 100 mm stroke, double acting, magnetic piston type, cushioned 25R100 UDEX

Basic cylinder Ø25, 40 mm stroke, single acting rear spring, non-magnetic piston type, seals for high temperatures 25/40 UYC2

1

U BASIC CYLINDER



P.S.: End cap nut and rod nut supplied as standard

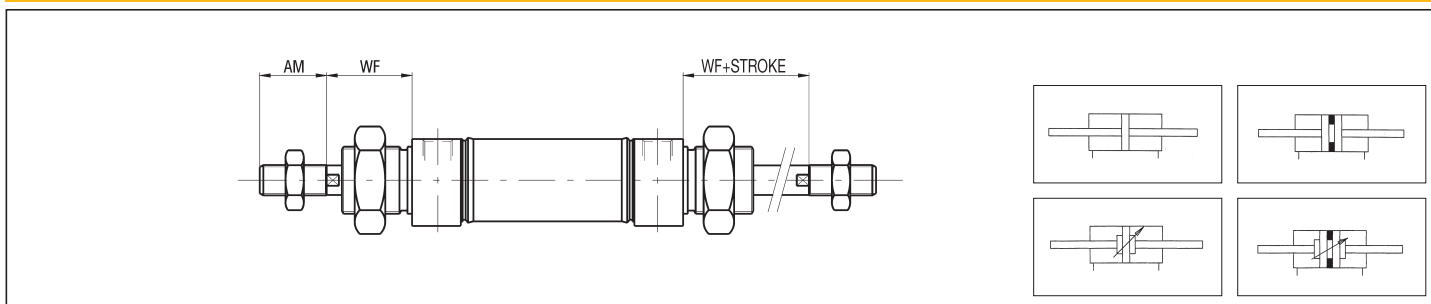
DIMENSIONS AND WEIGHTS BASIC CYLINDER

Ø	AM*	B	BE*	C	CD* H9	Ch*	Ch2	D*	EE*	ES	EW* d13	KK	KV	KW*	L*	LB	M1	M2	MM	MR*	N	WB	WF*	XC* ▲	WEIGHT (g)	INCR. (g) x 10 mm
8	12	3	M12x1,25	15	4	-	7	16	M5	-	8	M4	19	6	6	60	14	12	4	9	8	-	16	64	28,3	2
10	12	3	M12x1,25	15	4	-	7	16	M5	-	8	M4	19	6	6	60	14	12	4	9	8	-	16	64	29,2	2,3
12	16	4	M16x1,5	18	6	5	10	19	M5	-	12	M6	24	8	9	70	19	19	6	12	12	-	22	75	55,3	3,7
16	16	4	M16x1,5	18	6	5	10	21	M5	-	12	M6	24	8	9	77	18	18	6	12	12	-	22	82	63	4,2
20	20	5	M22x1,5	25	8	7	13	26	G 1/8	8	16	M8	30	10	12	91	19	20	8	15	13	71	24	95	138	9,1
25	22	6	M22x1,5	28,5	8	9	17	30	G 1/8	10	16	M10x1,25	30	10	12	100	23	22	10	18	15	73	28	104	188,5	12,5

* STANDARD DIMENSIONS

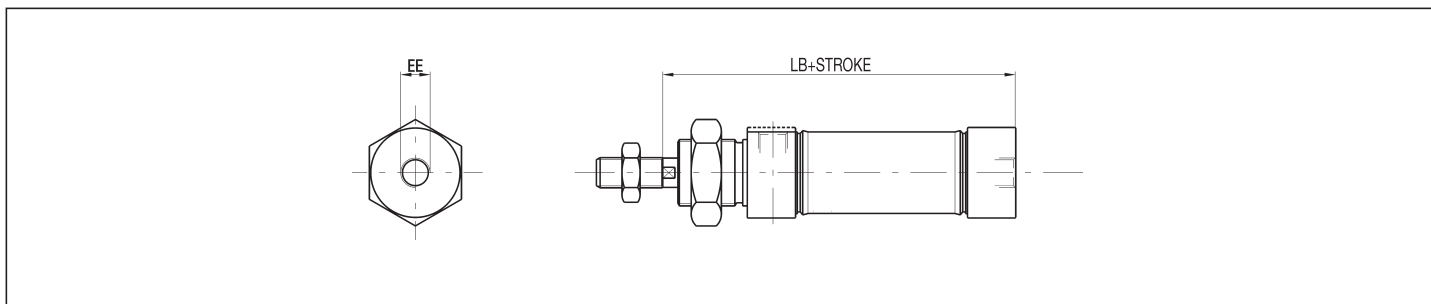
▲ Dimension "XC" for version "YE" is increased of 10 mm

THROUGH ROD



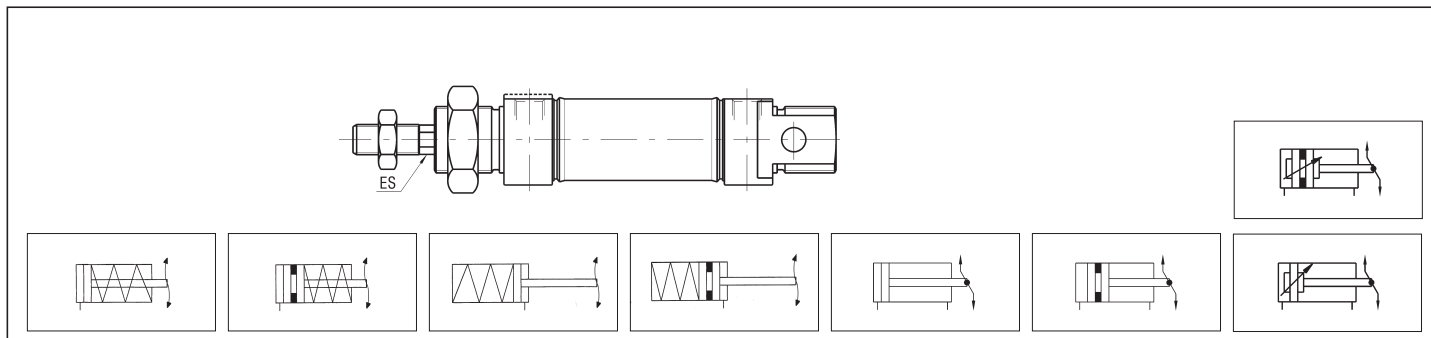
P.S.: End cap nuts and rod nuts supplied as standard

FLAT END CAP (REAR AXIAL FEED NOT INDICATED IN THE ISO 6432 STANDARD)



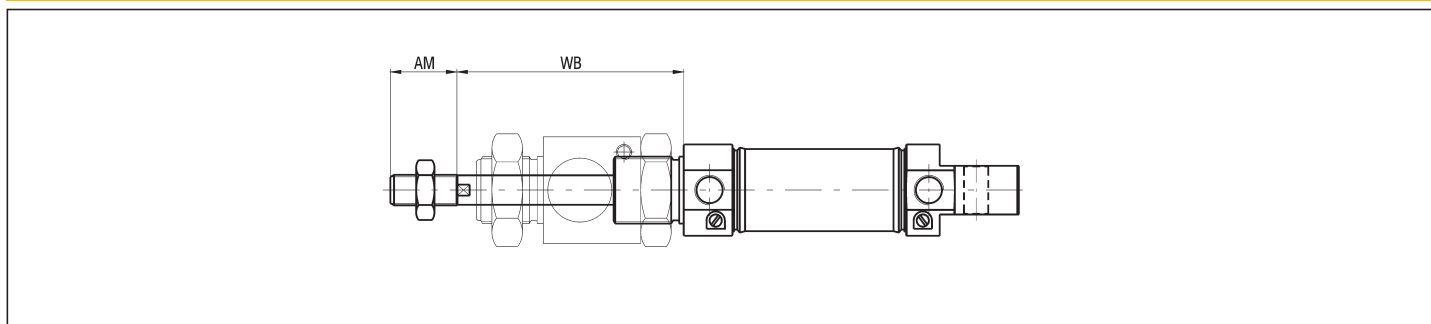
P.S.: End cap nut and rod nut supplied as standard

NON-ROTATING HEXAGON PISTON ROD



P.S.: End cap nut and rod nut supplied as standard

FIT FOR PISTON ROD LOCKING UNIT

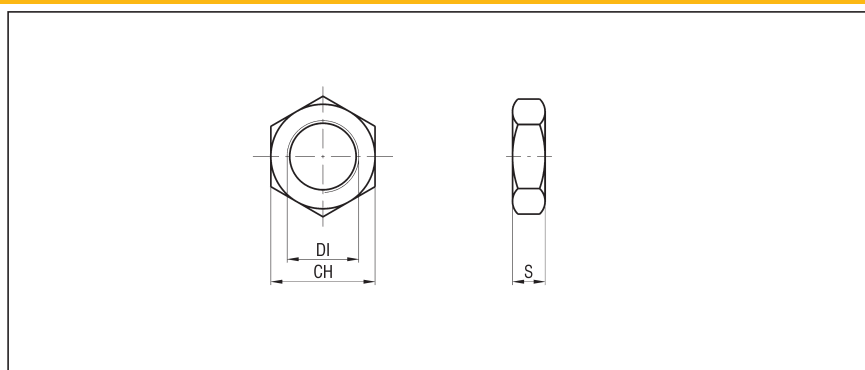


P.S.: End cap nut and rod nut supplied as standard

END CAP NUT - STEEL - UDT Ø

Ø	DI	CH	S	WEIGHT (g)
8-10	M12x1,25	19	6	7
12-16	M16x1,5	24	8	16
20-25	M22x1,5	30	10	25

AISI 304 STAINLESS STEEL
SUPPLIED UPON REQUEST
(SEE PAGE 1.17)

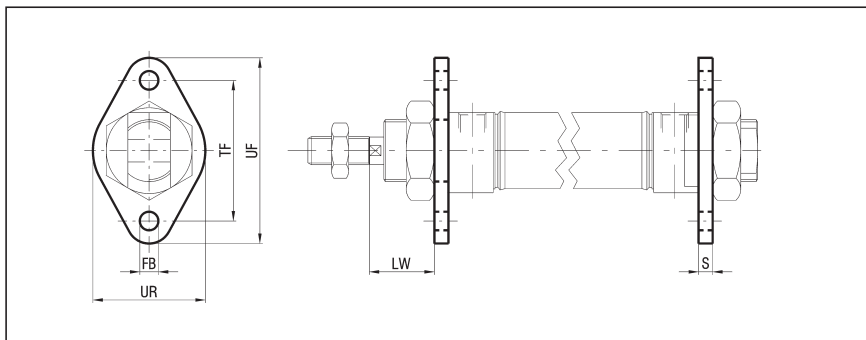


1

FLANGE - STEEL - UF Ø

Ø	FB H13	LW	S	TF JS13	UF	UR	WEIGHT (g)
8-10	4,5	13	3	30	39	19	5
12-16	5,5	18	4	40	54	30	10
20	6,6	19	5	50	64	36	20
25	6,6	23	5	50	64	36	20

AISI 304 STAINLESS STEEL SUPPLIED UPON REQUEST
(SEE PAGE 1.17)

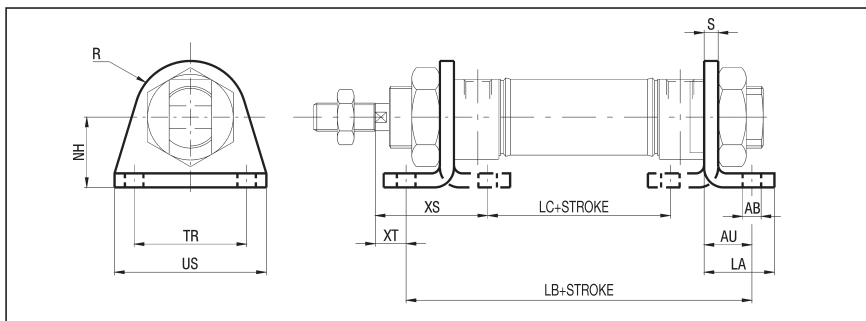


FOOT - STEEL - UP Ø

Ø	AB H13	AU	LA	LB	LC	NH	R
8-10	4,5	9,5	14	64	28	16	9,5
12-16	5,5	12	19	74-81	28-35	20	13
20	6,6	13	21,5	91	45,5	25	18
25	6,6	13	21,5	95	49,5	25	18

Ø	S	TR JS13	US	XS	XT	WEIGHT (g)
8-10	1,5	25	34	24	6,5	10
12-16	2	32	46	32	10	25
20	2,5	40	54	35	11	40
25	2,5	40	54	39	15	40

AISI 304 STAINLESS STEEL SUPPLIED UPON REQUEST
(SEE PAGE 1.17)

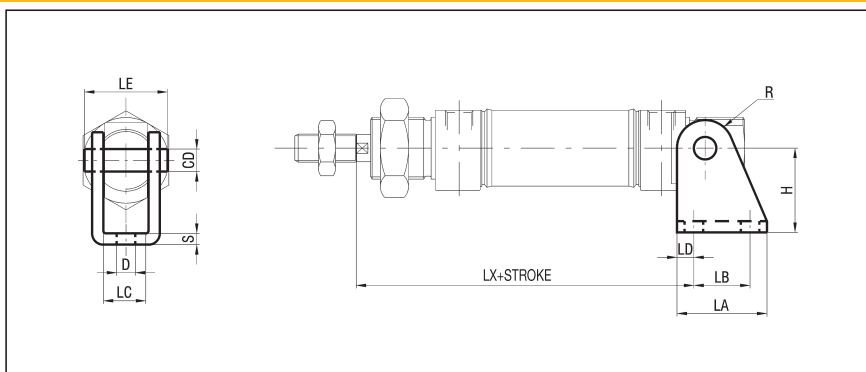


REAR HINGE - STEEL - USC Ø

Ø	CD f8	D H13	H	LA	LB JS13	LC E9	LD
8-10	4	4,5	24	20	12,5	8,1	3,75
12	6	5,5	27	25	15	12,1	5
16	6	5,5	27	25	15	12,1	5
20	8	6,6	30	32	20	16,1	6
25	8	6,6	30	32	20	16,1	6

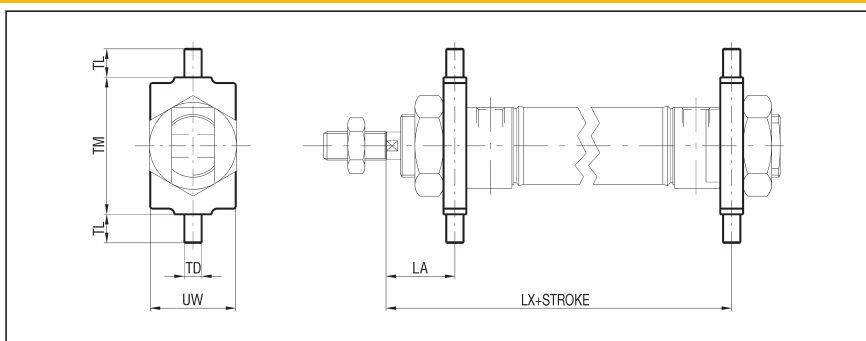
Ø	LE	LX	R	S	WEIGHT (g)
8-10	17	62,75	5	2,5	20
12	25	73	7	3	36
16	25	80	7	3	36
20	29,5	91	10	4	78
25	29,5	100	10	4	78

AISI 304 STAINLESS STEEL SUPPLIED UPON REQUEST
(SEE PAGE 1.17)



FLOATING HINGE - STEEL - UCT Ø

Ø	LA	LB	TD	TL	TM	UW	WEIGHT (g)
8-10	13	64	4	6	26	20	17
12-16	14	76-83	6	10	38	25	35
20	20	93	6	10	46	30	45
25	24	101	6	10	46	30	45



Accessories

Piston rod locking unit for cylinders to ISO 6432 standard

series WBZ

DESCRIPTION

Piston rod locking unit series "WBZ" is a mechanical device to fit on ISO 6432 cylinders (series "U" and "UP"); its function is to lock the piston rod in any position. This solution allows to lock the cylinder stroke each time that there's a pressure fall. Locking force is, in any case, higher than the force given off by the cylinder fed at 10 bar. It has static operation (cylinder piston rod not moving); it's necessary to preliminary stop the cylinder piston rod before proceeding with mechanical locking. Piston rod locking unit series "WBZ" must not be considered as a safety device.



1

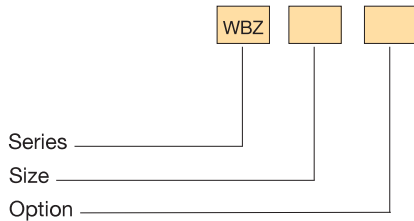
TECNICAL DATA

Operating pressure	3 ÷ 6 bar with cylinder feed pressure 0 ÷ 10 bar		
Working temperature	0 ÷ +80 °C (-5 °C with dry air)		
Fluid	Filtered, unlubricated or continuous lubricated compressed air		
Size	20, 25		
Port size	20 - 25 = M5		
Locking Type	Mechanical - Only axial (bi-directional)		
Release	Through pneumatic control		
Condition in absence of pressure	Locked		
Locking force with static load	Size	20	25
	N	490	490

MATERIALS

Body	Anodized alluminium alloy
Blades	Brass
Pistons	Acetal resin
Seals	NBR rubber
Springs	Steel

ORDER KEY



OPTION

G Fit for assembly with guide units series "WUG"*

* Feeding is rotated of 90°

ORDER EXAMPLES

Piston rod locking unit, size 20
WBZ20

Piston rod locking unit, size 25 + cylinder series "U" Ø25, fit for piston rod locking unit, 150 mm stroke, double acting, non-magnetic piston type, ASSEMBLED:
WBZ25 + 25/150 UDCZ + M/WBZ

ASSEMBLY

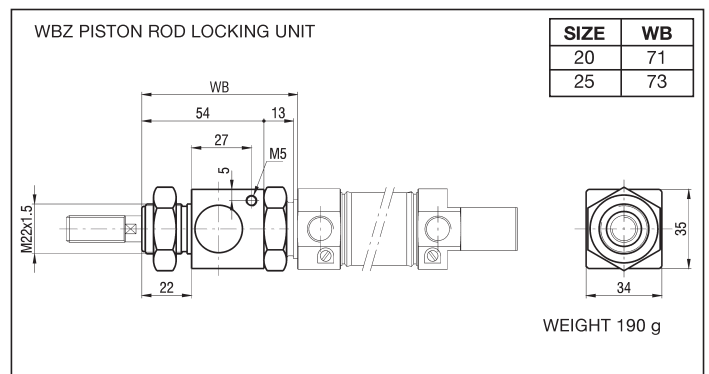
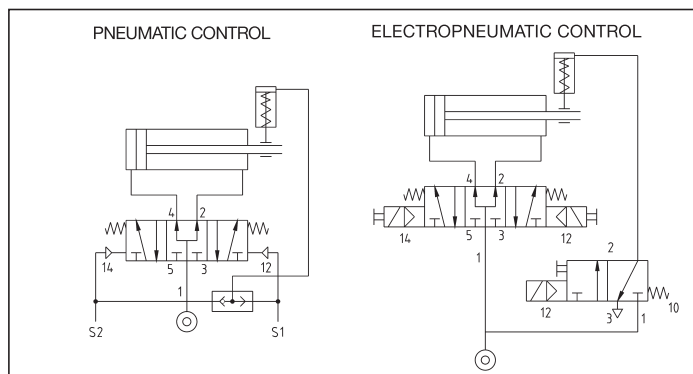
"WBZ" + cylinders series "U" or "UP", "Z" version M/WBZ

SPARE PARTS

BLADES KIT	Size /PM/WBZ
PISTON KIT	Size /SG/WBZ

TECHNICAL INFORMATION

"WBZ" operation is based on the action of two opposed blades. When these blades are opened up by suitably loaded springs, they oppose the sliding movement of the piston rod passing through them. It is advisable to balance the pressure in the cylinder chambers during piston rod locking phase in order to increase its working life with a 5/3 pressure centre valve (see the schemes here below).

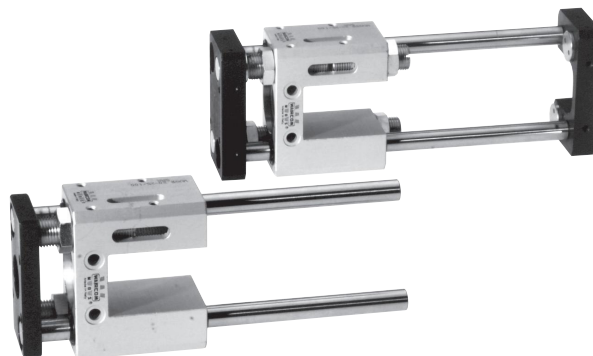


DESCRIPTION

Guide units series "WUG" for cylinders to ISO 6432 standard act as devices against rotation of the piston rod in the presence of torques and they are used to carry out multi-axis systems where high movement precision is required.

Guide units are available in single and double version, and are supplied with self-lubricating bushings (for low speeds or heavy loads), or with recirculating ball bearing sleeves (for high speeds).

P.S.: Cylinders series "U" ($\varnothing 12 \div 25$) and "UP" ($\varnothing 16 \div 25$) in the magnetic version, assembled with these guide units, can accept exclusively magnetic sensors type FM157 (see from page 1.97).



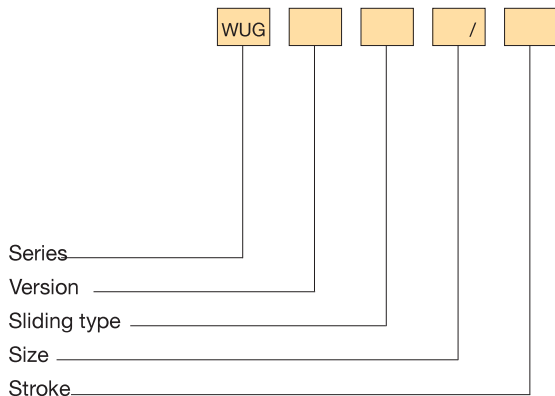
TECHNICAL DATA

Size	12 - 16, 20 - 25
Standard strokes (mm)	50, 100, 150, 200, 250, 300, 350, 400, 450, 500
Versions	Single unit Double unit

MATERIALS

Body	Anodized aluminium alloy
Self-aligning radial joint	Steel
Adjustable mechanical stop as standard	Brass
End flanges	Single unit: galvanized steel Double unit: anodized aluminium alloy
Guide bars	C45 chromium-plated steel (sliding type on bushings) Hardened steel (sliding type with sleeves)
Bushings	Self-lubricating sintered bronze with wiper ring
Sleeves	Recirculating ball bearings with wiper ring
Clamp	Brass

ORDER KEY



VERSION

Single unit **D** Double unit

SLIDING TYPE

B On bushings **M** With sleeves*

* Supplied only with size 20 - 25

ORDER EXAMPLES

Single guide unit, size 20 - 25, 150 mm stroke, with sleeves + cylinder series "UP" $\varnothing 25$, 150 mm stroke, double acting, magnetic piston type, ASSEMBLED

WUGM 20 - 25/150 + 25/150 UPDE + M/WUG

Single guide unit, size 12 - 16, 100 mm stroke, on bushings

WUGB 12 - 16/100

Double guide unit, size 20 - 25, 100 mm stroke, with sleeves

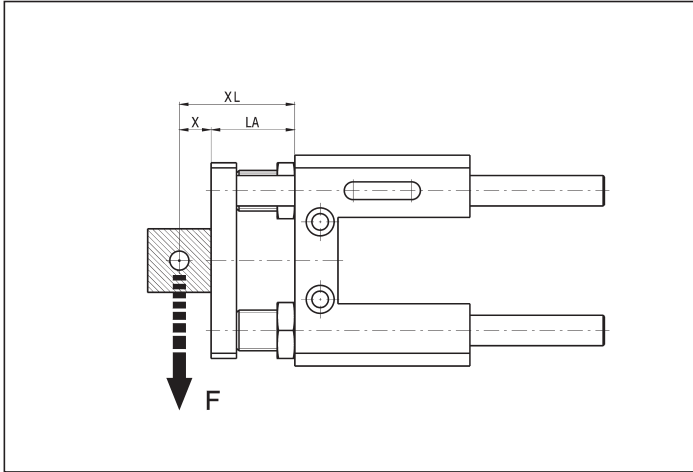
WUGDM 20 - 25/100

ASSEMBLY

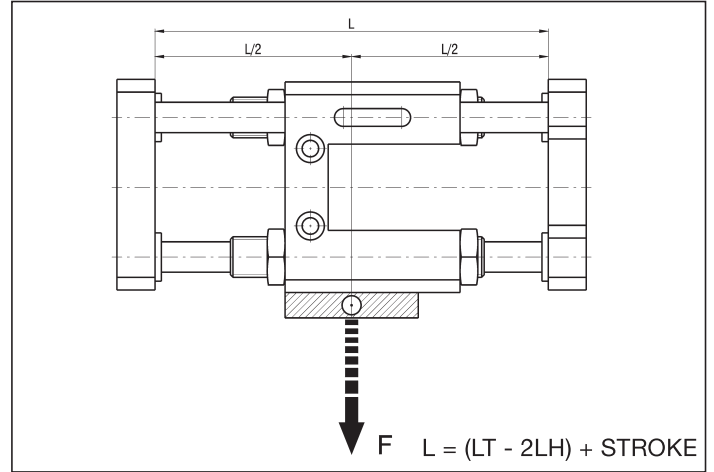
"WUG" + cylinders series "U" or "UP" ($\varnothing 16 \div 25$) **M/WUG**

TECHNICAL INFORMATION

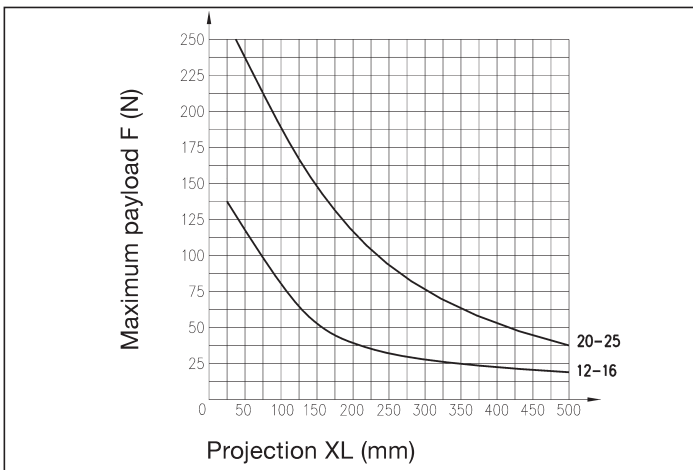
WUG SINGLE GUIDE UNIT



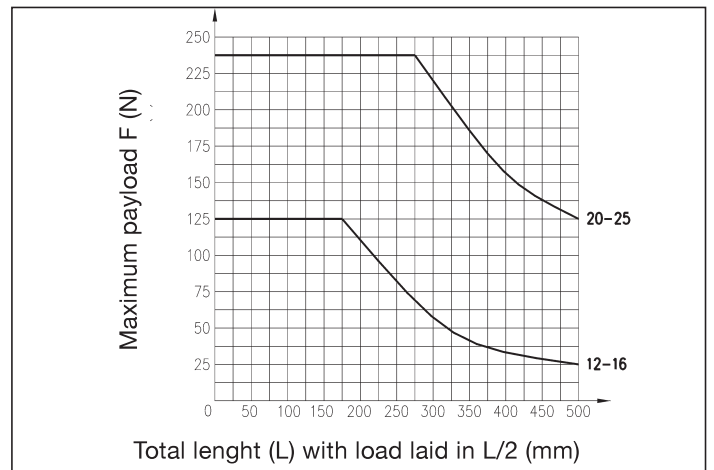
WUGD DOUBLE GUIDE UNIT



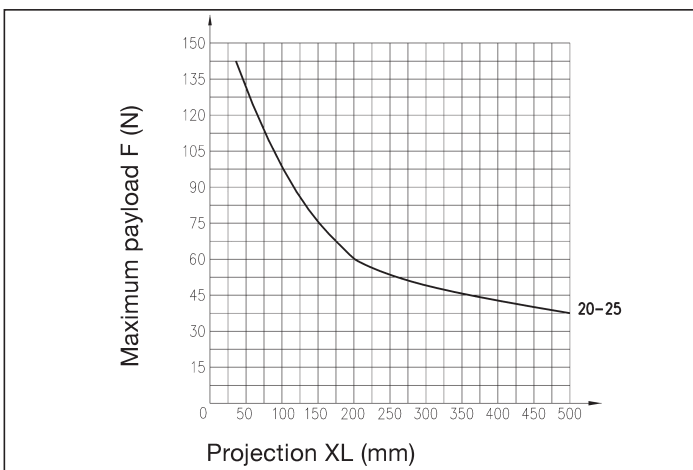
MAXIMUM PERMISSIBLE LOAD-WUG VERSION B



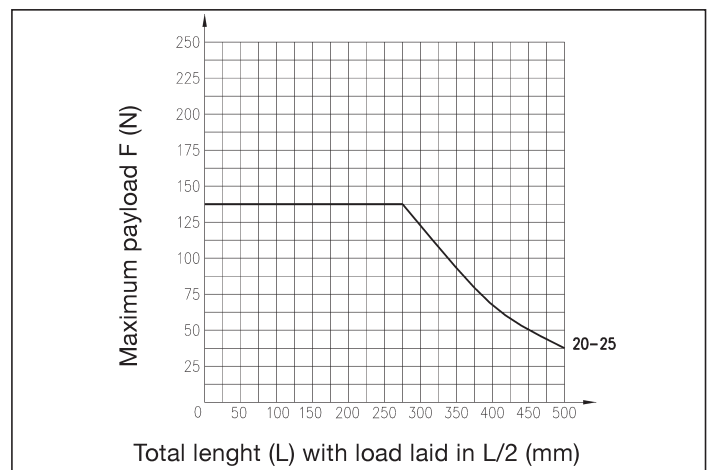
MAXIMUM PERMISSIBLE LOAD-WUGD VERSION B



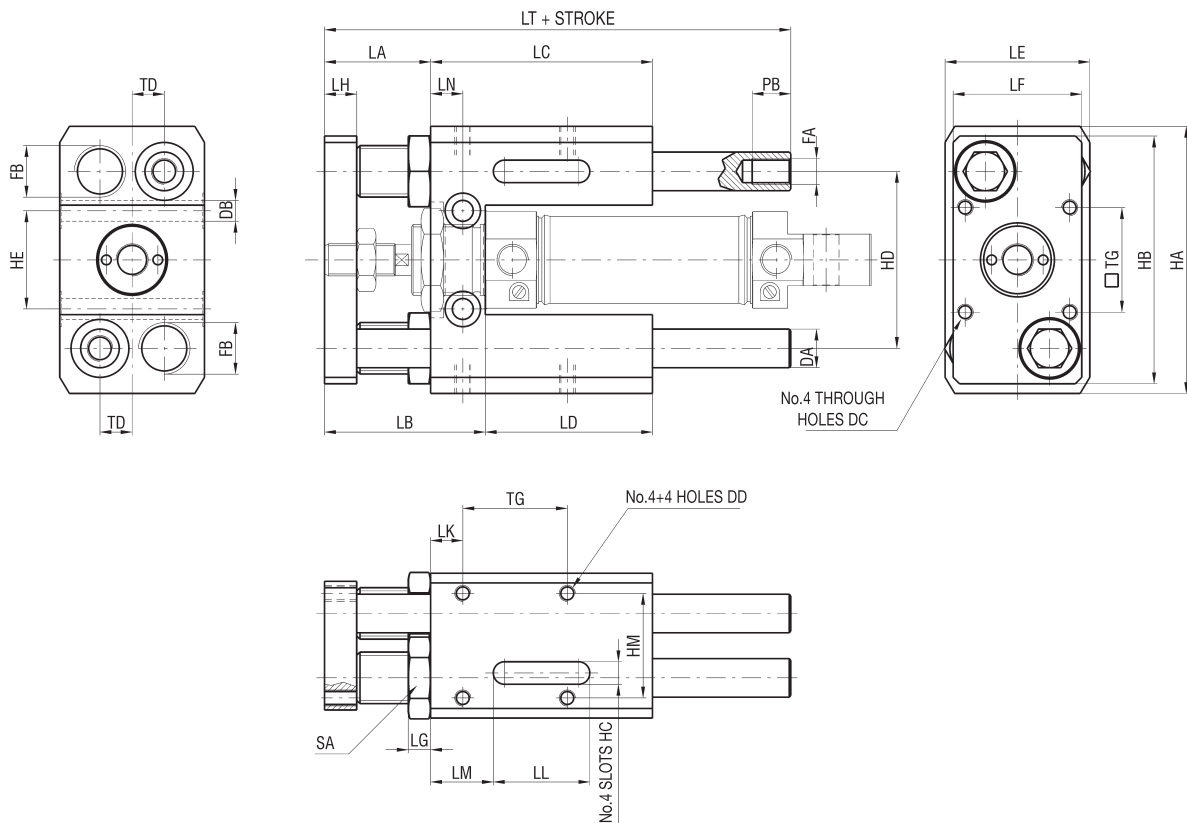
MAXIMUM PERMISSIBLE LOAD-WUG VERSION M



MAXIMUM PERMISSIBLE LOAD-WUGD VERSION M



WUG SINGLE GUIDE UNIT



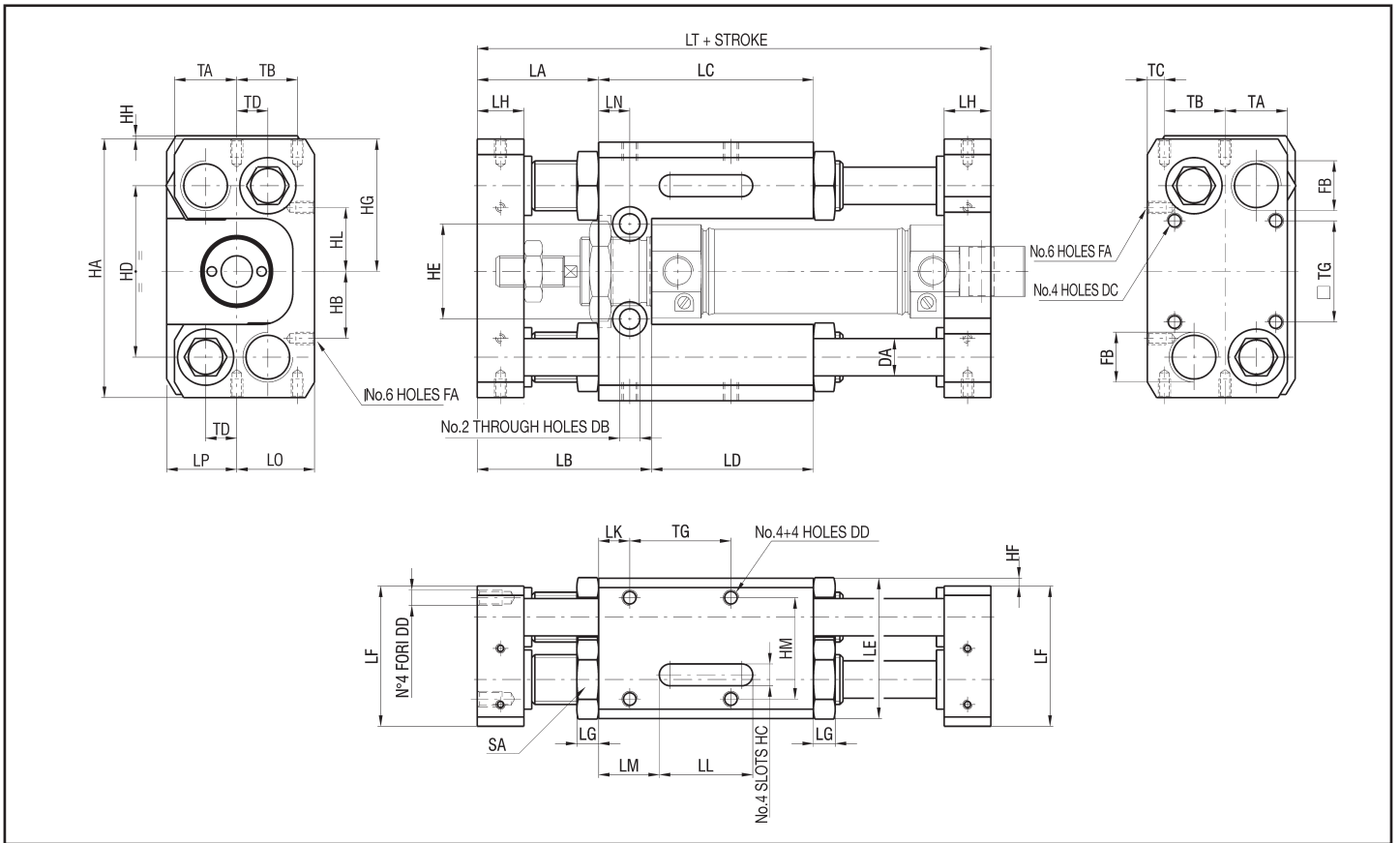
DIMENSIONS AND WEIGHTS

SIZE	DA	DB	DC	DD	FA	FB	HA	HB	HC	HD	HE	HM	LA	LB	LC	LD	LE	LF	LG	LH
12-16	10	5,2	M4	M5	M6	M12x1,25	65	60	6	47	24	32,5	25	28	60	47	40	35	7	10
20	B12 M10	6,5	M4	M5	BM8 MM6	M16x1,5	83	77	7	55	30,5	32,5	27	44	69	52	45	40	7	10
25	B12 M10	6,5	M4	M5	BM8 MM6	M16x1,5	83	77	7	55	30,5	32,5	32	50	69	52	45	40	7	10

SIZE	LK	LL	LM	LN	LT	PB	SA	TD	TG	WEIGHT (g)	INCREM. (g) every 10 mm
12-16	19	16	22	6,5	100	12	Ch.14	8,5	22	690	12
20	10	30	19,5	10	115	12	Ch.21	10	32,5	B890 M830	B17 M12
25	10	30	19,5	10	115	12	Ch.21	10	32,5	B890 M830	B17 M12

B - Bushings
M - Sleeves

WUGD DOUBLE GUIDE UNIT



DIMENSIONS AND WEIGHTS

SIZE	DA	DB	DC	DD	FA	FB	HA	HB	HC	HD	HE	HF	HG	HH	HL	HM	LA	LB	LC	LD	LE
12-16	10	5,2	M4	M5	M4	M12x1,25	65	18	6	47	24	1,3	30,5	1	18	32,5	30	43	60	47	40
20	B12 M10	6,5	M4	M5	M4	M16x1,5	83	21,5	7	55	30,5	2,5	40,5	1	20,5	32,5	33	50	69	52	45
25	B12 M10	6,5	M4	M5	M4	M16x1,5	83	21,5	7	55	30,5	2,5	40,5	1	20,5	32,5	39	56	69	52	45

SIZE	LF	LG	LH	LK	LL	LM	LN	LO	LP	LT	SA	TA	TB	TC	TD	TG	WEIGHT (g)	INCREM. (g) every 10 mm
12-16	40	7	15	19	16	22	6,5	22,5	19	120	Ch.14	17,5	17,5	5	8,5	22	740	12
20	45	7	15	10	30	19,5	10	25	22,15	135	Ch.21	20	19,5	5,5	10	32,5	B1170 M1110	B18 M12
25	45	7	15	10	30	19,5	10	25	22,15	135	Ch.21	20	19,5	5,5	10	32,5	B1170 M1110	B18 M12

B - Bushings
M - Sleeves

CLAMP FOR DECELERATOR WUGCD SIZE

SIZE	FA	FB	L	WEIGHT (g)
12-16	M12x1,5	M8x1	35	20
20-25	M16x1,5	M8x1	40	50

CLAMP FOR MAGNETIC PROXIMITY WUGCP SIZE

SIZE	FA	FB	L	WEIGHT (g)
12-16	M12x1,5	M8x1	25	12
20-25	M16x1,5	M8x1	25	31

