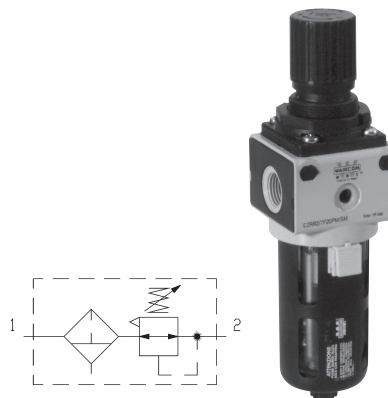


### DESCRIPTION

Filters reducers series "EZRR/F", produced with connections G 3/8, G 1/2 and G 1, combine the characteristics of the filters and of the pressure reducers series "EZ", thus optimizing the overall dimensions.

### TECHNICAL DATA

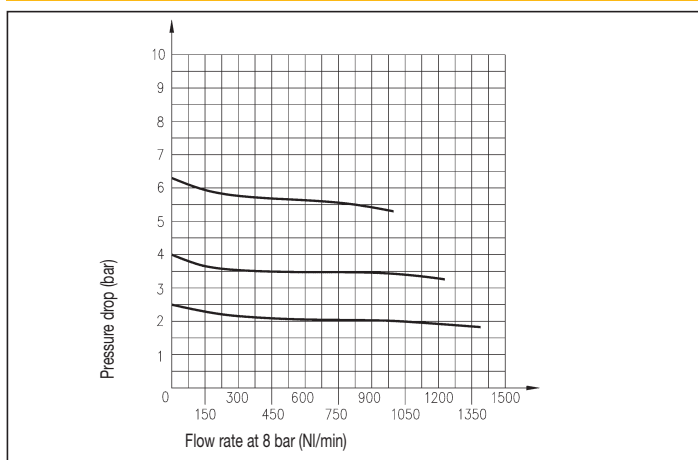
Maximum pressure	16 bar
Working temperature	0 ÷ +50 °C (-10 °C with dry air)
Fluid	Compressed air
Port size	G 3/8 - G 1/2 - G 1
Pressure gauge port size	G 1/8
Void fraction	G 3/8 - G 1/2: 20 µm standard, 5 µm and 40 µm on request G 1: 40 µm standard
Condensate drainage system	G 3/8: Manual or semi-automatic G 1/2 - G 1: Manual, semi-automatic or automatic
Max. condensate capacity	G 3/8 = 23 cm <sup>3</sup> G 1/2 = 58 cm <sup>3</sup> G 1 = 105 cm <sup>3</sup> (do not exceed the level gauge)
Adjusting range (bar)	0,2 ÷ 2 - 0,4 ÷ 4 - 0,8 ÷ 8
Type of mounting	Modular, in-line, wall and panel mounting
Wall clamping screws	G 3/8: M4x60 G 1/2: M5x70 G 1: M6x90



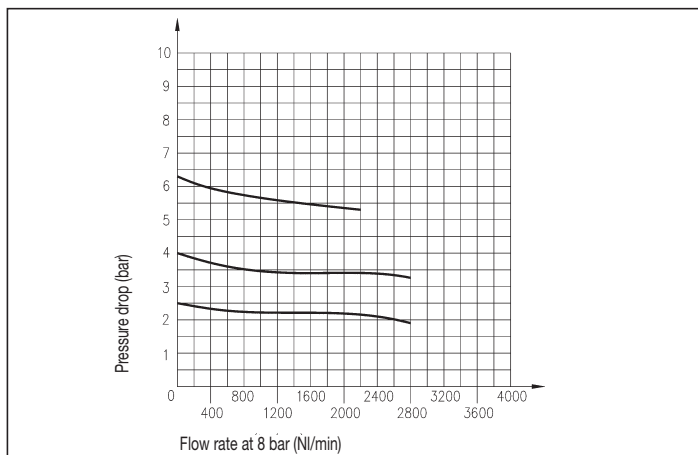
### MATERIALS

Body	Aluminium alloy
Bowl	G 3/8: Transparent techno-polymer (protection made of glass stiffened polyamide on request) G 1/2 - G 1: Transparent techno-polymer with metallic protection as standard
Filtering element	G 3/8 - G 1/2: Sintered polyethylene G 1: Sintered porous bronze
Seals	NBR rubber
Baffle	Acetal resin
Closing plug	Brass, NBR rubber
Spring	Stainless steel
Knob	Acetal resin
Adjusting screw	Brass
Diaphragm	Brass, friction

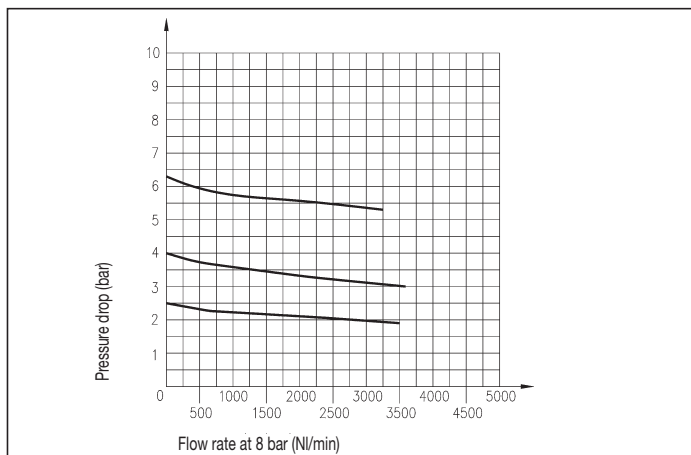
### FLOW CHART - EZRR /F G 3/8



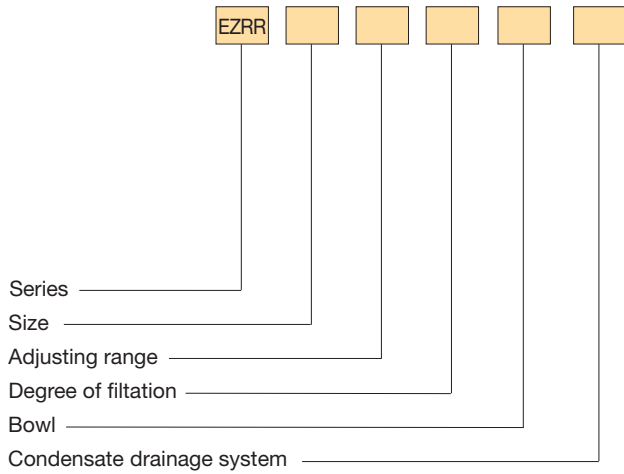
### FLOW CHART - EZRR /F G 1/2



### FLOW CHART - EZRR /F G 1



ORDER KEY

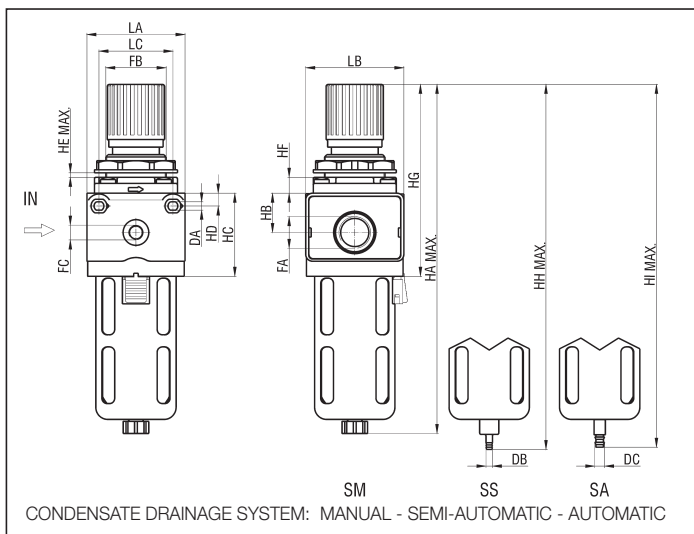


SIZE			
3	G 3/8	2	G 1/2
1	G 1		
ADJUSTING RANGE			
/3	0,2 ÷ 2 bar	/5	0,4 ÷ 4 bar
/7	0,8 ÷ 8 bar		
DEGREE OF FILTRATION			
F5	5 µm*	F20	20 µm
F40	40 µm		
BOWL			
	Trasparent	PM	Protection**
CONDENSATE DRAINAGE SYSTEM			
/SM	Manuale	/SS	Semi-automatic
/SA	Automatic***		

SPARE PARTS

See series "EZP" (on page 4.13) and "EZRR" (on page 4.15)

DIMENSIONS AND WEIGHTS EZRR /F



SIZE	DA	DB	DC	FA	FB	FC	HA	HB	HC	HD
3	4,5	G 1/8	-	G 3/8	M30x1,5	G 1/8	193	21	52	6
2	5,5	Ø 4,3	Ø 6,5	G 1/2	M40x1,5	G 1/8	231	26	55	8,5
1	6,6	G 1/8	Ø 6,5	G 1	-	G 1/8	337	31	76	9

SIZE	HE	HF	HG	HH	HI	LA	LB	LC	WEIGHT (g)
3	4	6	99	197	-	55	50	40	550
2	7	10,5	127	242	240	65	65	42	610
1	-	14	194,5	341	332	85	82	60	2790

\* Available only for sizes 3 and 2

\*\* Metallic as standard for sizes 2 and 1, made of glass stiffened polyamide on request for size 3

\*\*\* Available only for sizes 2 and 1

P.S.: Filters reducers can be supplied without the relieving seal on request; the series becomes "EZR..."

### DESCRIPTION

Lubricators series "EZL" are produced with connections G 3/8, G 1/2 and G 1; the techno-polymer bowls have a metallic protection as standard for the sizes G 1/2 and G 1, and made of glass stiffened polyamide on request for the size G 3/8.

For a correct lubrication it is advisable to set the drip rate in order to have a drop (WAIRSOL class ISO22) every 300 - 500 NI/min. (oil mist lubrication).

### TECHNICAL DATA

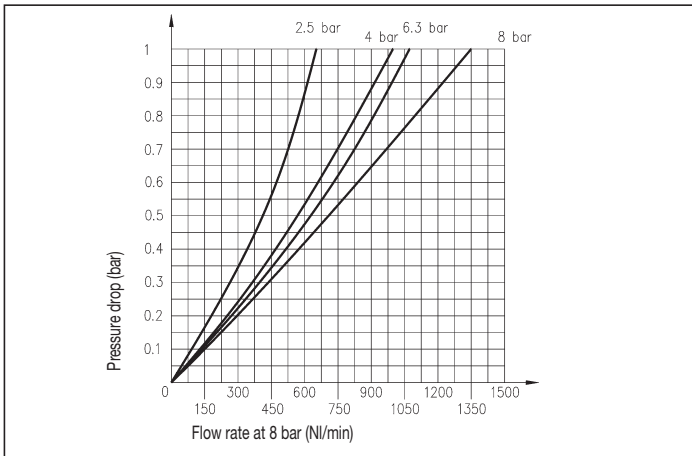
Maximum pressure	16 bar
Working temperature	0 ÷ +50 °C (-10 °C with dry air)
Fluid	Filtered compressed air
Port size	G 3/8 - G 1/2 - G 1
Bowl capacity	G 3/8 = 32 cm <sup>3</sup> G 1/2 = 76 cm <sup>3</sup> G 1 = 160 cm <sup>3</sup> (do not exceed the level gauge)
Type of mounting	Modular, in-line and wall-mounting
Wall clamping screws	G 3/8: M4x60 G 1/2: M5x70 G 1: M6x90
Minimum striking flow rate	G 3/8 = 25 NI/min G 1/2 = 25 NI/min G 1 = 50 NI/min



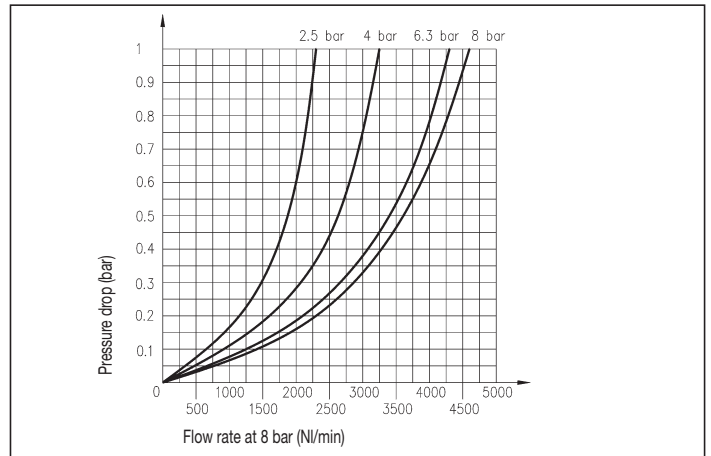
### MATERIALS

Body	Aluminium alloy
Bowl	G 3/8: Transparent techno-polymer (protection made of glass stiffened polyamide on request) G 1/2 - G 1: Transparent techno-polymer with metallic protection as standard
Seals	NBR rubber
Conduits	Acetal resin

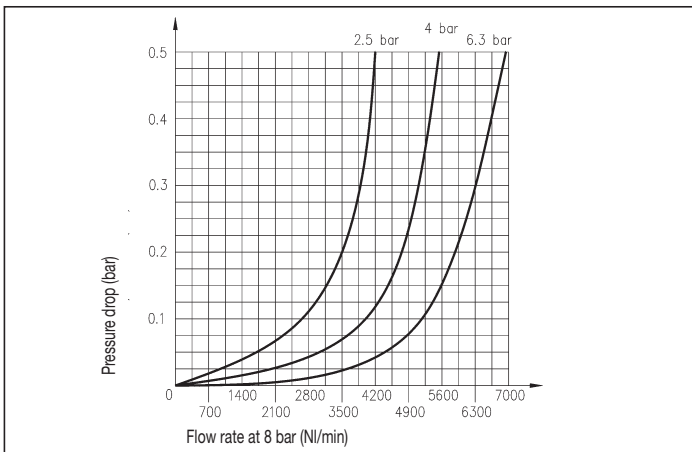
### FLOW CHART - EZL G 3/8



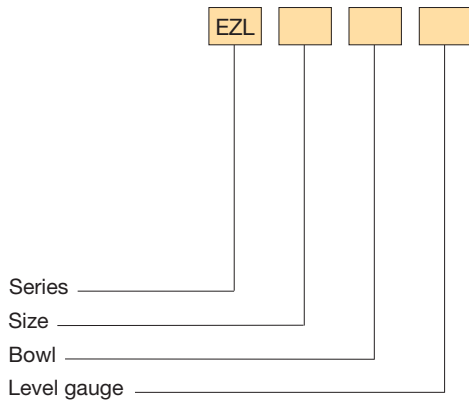
### FLOW CHART - EZL G 1/2



### FLOW CHART - EZL G 1



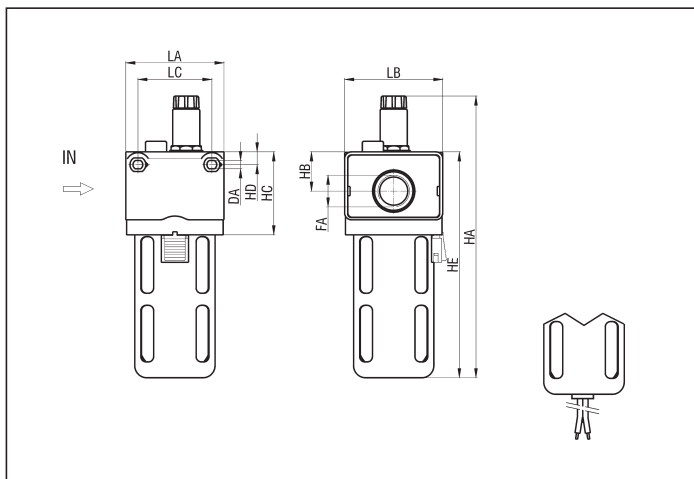
## ORDER KEY



SIZE			
3	G 3/8	2	G 1/2
1	G 1		
BOWL			
Transparent		PM	Protection*
LEVEL GAUGE			
/CA Open electric contact when oil is present with 2 wires cable 0,5 m length			
/CC Closed electric contact when oil is present with 2 wires cable 0,5 m length			

\* Metallic as standard for sizes 2 and 1, made of glass stiffened polyamide on request for size 3  
 P.S.: Level gauge, in both the open and closed electric contact, is fed with a voltage range from 6 V to 50 V

## DIMENSIONS AND WEIGHTS EZL



SIZE	DA	FA	HA	HB	HC	HD	HE	LA	LB	LC	WEIGHT (g)
3	4,5	G 3/8	157,5	21	52	6	121	55	50	40	370
2	5,5	G 1/2	186,7	26	55	8,5	149,7	65	65	49	400
1	6,6	G 1	243,5	31	76	9	201	85	82	60	1780

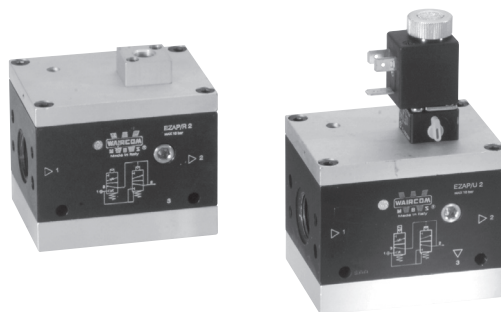
## SPARE PARTS

Lubricator bowl size 3	EZT/L3
Lubricator bowl size 2*	EZT/L2/PM
Lubricator bowl size 1	EZT/L1
Lubricator bowl for level gauge size 3	EZT/L3/SLC
Lubricator bowl for level gauge size 2*	EZT/L2/PM/SLC
Lubricator bowl for level gauge size 1	EZT/L1/SLC
Protection made of glass stiffened nylon size 3	EZ3/PM
Metallic protection size 1	EZ1/PM
Lubricator clear cover size 3	EZL3/C
Lubricator clear cover size 2	EZL2/C
Lubricator clear cover size 1	EZL1/C
Level gauge with open electric contact size 3	EZT/L3/SLA
Level gauge with open electric contact size 2*	EZT/L2/PM/SLA
Level gauge with open electric contact size 1	EZT/L1/SLA

\* Bowls size 2 are supplied with the metallic protection as standard

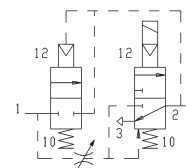
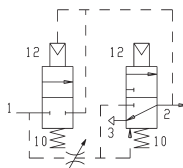
### DESCRIPTION

Soft - start valves series "EZAP" are produced with connections G 3/8, G 1/2 and G 1 in the pneumatic and solenoid actuated versions. The working of the soft-start valves consists in feeding gradually air into the circuit with adjustable flow. When the pressure in the circuit reaches the 50 ÷ 60% of the upstream set pressure, the valve switches to full capacity, supplying the circuit with the maximum flow rate.



### TECHNICAL DATA

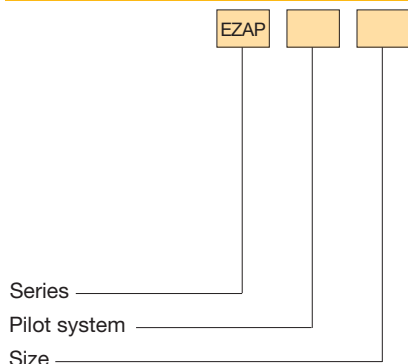
Maximum pressure	10 bar
Working temperature	0 ÷ +50 °C (-10°C with dry air)
Fluid	Filtered, unlubricated or continuous lubricated compressed air
Port size	G 3/8 - G 1/2 - G 1
Flow rate at 6 bar ΔP=1 bar	G 3/8 = 1000 NI/min G 1/2 = 1650 NI/min G 1 = 4000 NI/min
Max. flow rate of the adjusting screw of the filling time	G 3/8 = 400 NI/min G 1/2 = 500 NI/min G 1 = 500 NI/min
Type of mounting	Modular, in-line and wall-mounting
Wall clamping screws	G 3/8: M4x60 G 1/2: M5x70 G 1: M6x90
Piloting solenoid valve	C/USCVP - see chapter Direct acting solenoid valves on page 2.11
Coil	USB - see chapter Coils on page 2.14
Electric connector	USR 102/N9 - see chapter Connectors on page 2.15



### MATERIALS

Body	Aluminium alloy
Springs	Stainless steel
Pistons	Aluminium alloy
Seals	NBR rubber

### ORDER KEY



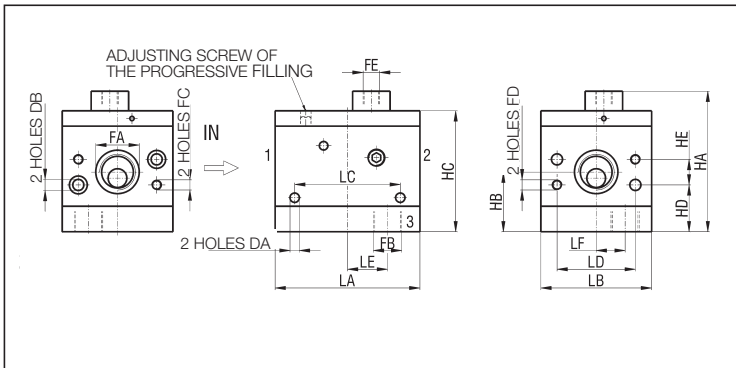
### PILOT SYSTEM

/R Pneumatic                      /U Solenoid

### SIZE

<b>3</b>	G 3/8	<b>2</b>	G 1/2
<b>1</b>	G 1		

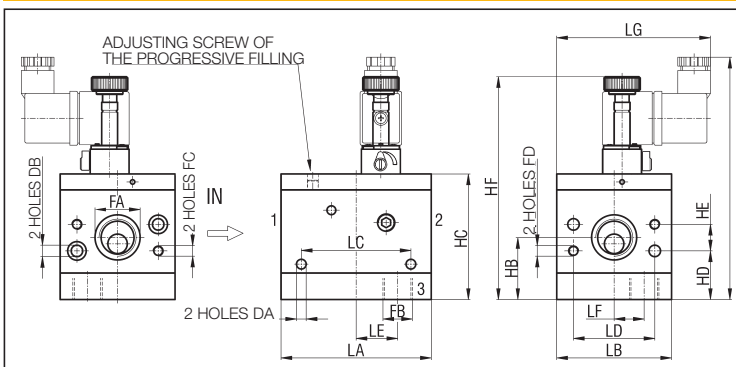
## DIMENSIONS AND WEIGHTS EZAP /R



SIZE	DA	DB	FA	FB	FC	FD	FE	HA	HB	HC
3	4,5	5,1	G 3/8	G 1/8	-	M6	G 1/8	68	28,8	56,5
2	5,5	6,5	G 1/2	G 3/8	M6	M6	G 1/8	82,5	35	71

SIZE	HD	HE	LA	LB	LC	LD	LE	LF	WEIGHT (g)
3	28,8	-	70	50	51,5	35	20	12	505
2	27,5	15	85	65	62	46	23,5	17	985

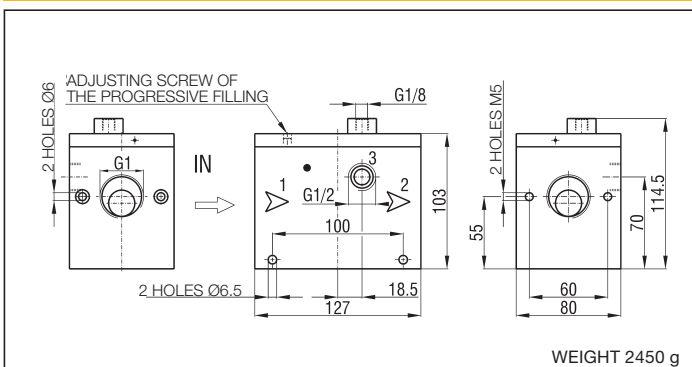
## DIMENSIONS AND WEIGHTS EZAP /U



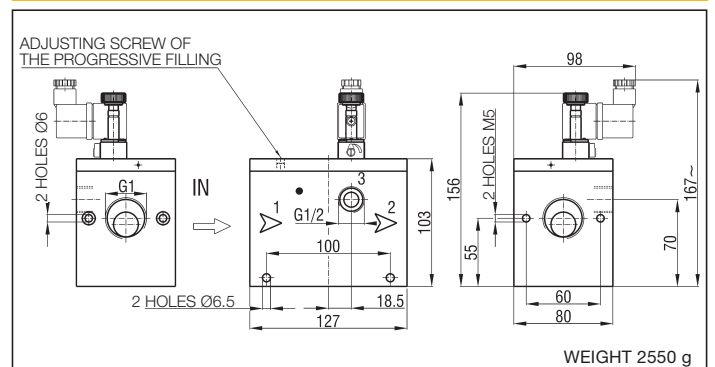
SIZE	DA	DB	FA	FB	FC	FD	HA	HB	HC	HD
3	4,5	5,1	G 3/8	G 1/8	-	M6	122,5	28,8	56,5	28,8
2	5,5	6,5	G 1/2	G 3/8	M6	M6	137	35	71	27,5

SIZE	HE	HF	LA	LB	LC	LD	LE	LF	LG	WEIGHT (g)
3	-	115,5	70	50	51,5	35	20	12	79,5	540
2	15	126	85	65	62	46	23,5	17	87	1020

## DIMENSIONS AND WEIGHTS EZAP /R1



## DIMENSIONS AND WEIGHTS EZAP /U1



### DESCRIPTION

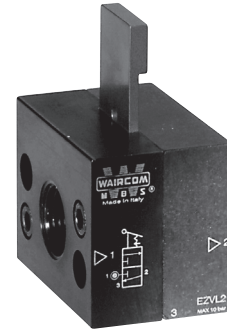
Shut-off valves series "EZVL" are produced with connections G 3/8, G 1/2 and G 1 and they are fit to be locked in the exhaust position by means of a standard padlock.

### TECHNICAL DATA

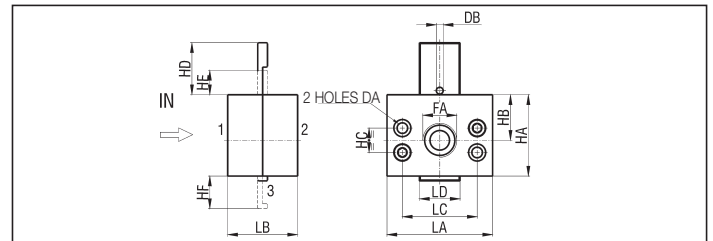
Maximum pressure	16 bar
Working temperature	0 ± +50 °C (-10 °C with dry air)
Fluid	Filtered, lubricated and unlubricated compressed air
Port size	G 3/8 - G 1/2 - G 1
Flow rate at 6 bar ΔP=1 bar	G 3/8 = 2400 NL/min G 1/2 = 3150 NL/min G 1/2 = 4250 NL/min
Type of mounting	Modular and in-line

### MATERIALS

Body	Anodized aluminium alloy
Seals	NBR rubber
Slider	Anodized aluminium alloy



### DIMENSIONS AND WEIGHTS EZVL

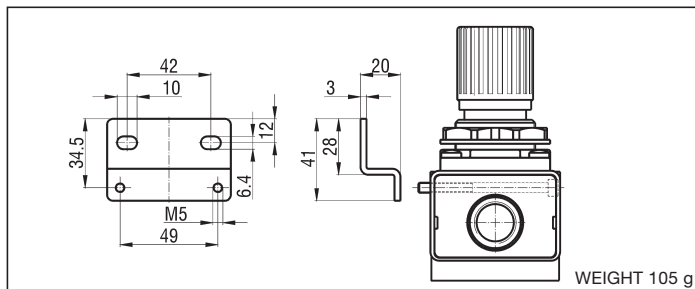


TYPE	DA	DB	FA	HA	HB	HC	HD	HE	HF	LA	LB	LC	LD	WEIGHT (g)
EZVL/3	5,5	4,2	G 3/8	50	25	-	36	15	21	50	39	35	25	260
EZVL/2	6,5	4,2	G 1/2	50	28	15	32	15	20	65	43	46	25	370
EZVL/1	6,1	4,2	G 1	60	30	-	34	15	22	80	60	60	25	700

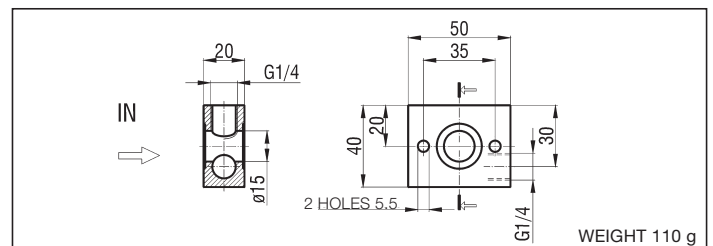
### ACCESSORIES

#### MOUNTING BRACKET G 3/8 - UZRHS (see drawing on page 4.8)

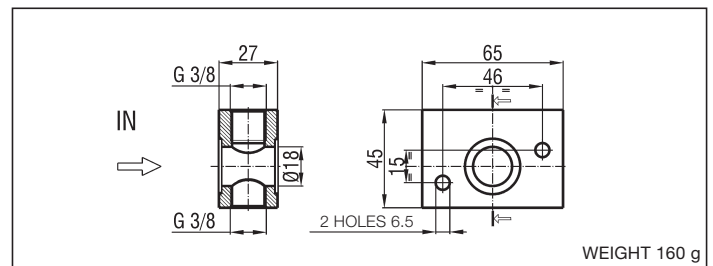
#### MOUNTING BRACKET G 1/2 - EZS2/3



#### INTERMEDIATE AIR INTAKE G 3/8 - EZPA3/3 (screws included)



#### INTERMEDIATE AIR INTAKE G 1/2 - EZPA2/3 (screws included)



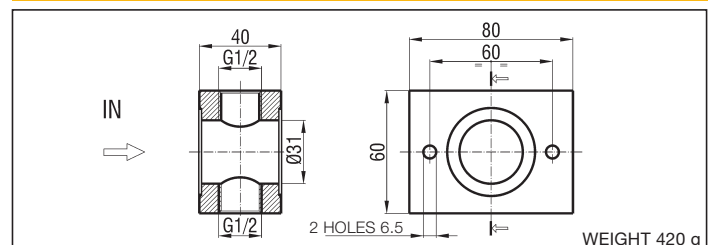
### ASSEMBLY SCREWS

DESCRIPTION	SIZE		
	3	2	1
Assembly screws F+R+L	EZ3/SVG	EZ2/SVG	EZ1/SVG
Assembly screws FR+L	EZ3/SVG/1	EZ2/SVG/1	EZ1/SVG/1
Assembly screws F+L	EZ3/SVG/2		EZ1/SVG/2
Assembly screws FR+L+AP - R+L+AP	EZAP3/SVG	EZAP2/SVG	EZAP1/SVG
Assembly screws FR+AP - R+AP	EZAP3/SVG/1	EZAP2/SVG/1	EZAP1/SVG/1
Assembly screws VL+F+R	EZVL3/SVG	EZVL2/SVG	EZVL1/SVG
Assembly screws VL+FR - VL+R	EZVL3/SVG/1	EZVL2/SVG/1	EZVL1/SVG/1

### WALL CLAMPING SCREWS

DESCRIPTION	SIZE		
	3	2	1
Clamping screws F-FR-R-L-AP	EZ/SVG/P3	EZ/SVG/P2	EZ/SVG/P1

#### INTERMEDIATE AIR INTAKE G 1 - EZPA1/3 (screws included)



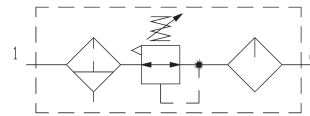
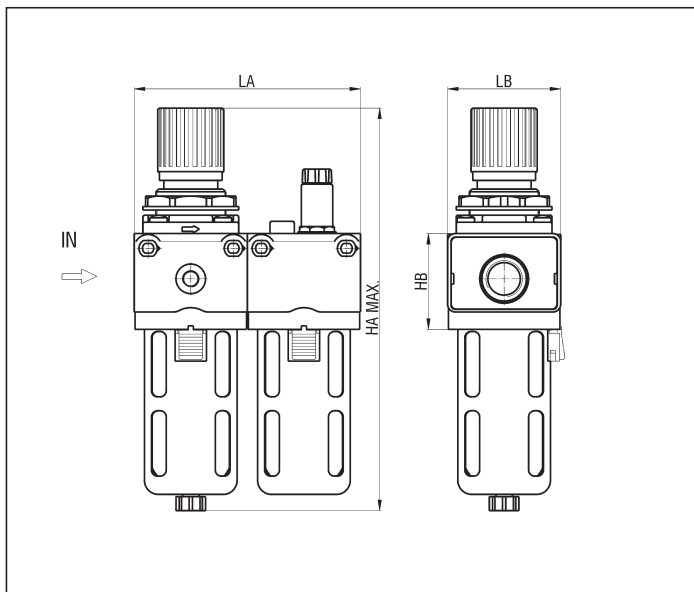
# Air treatment: filter reducer + lubricator G 3/8 - G 1/2 - G 1

# series EZ

## TECHNICAL DATA

Maximum pressure	16 bar
Working temperature	0 ÷ +50 °C (-10 °C with dry air)
Fluid	Compressed air
Port size	G 3/8 - G 1/2 - G 1
Pressure gauge port size	G 1/8
Flow rate at 6 bar ΔP = 1 bar	G 3/8 = 680 NI/min G 1/2 = 1200 NI/min G 1/2 = 2300 NI/min
Wall clamping screws	G 3/8: M4x60 G 1/2: M5x70 G 1: M6x90 1

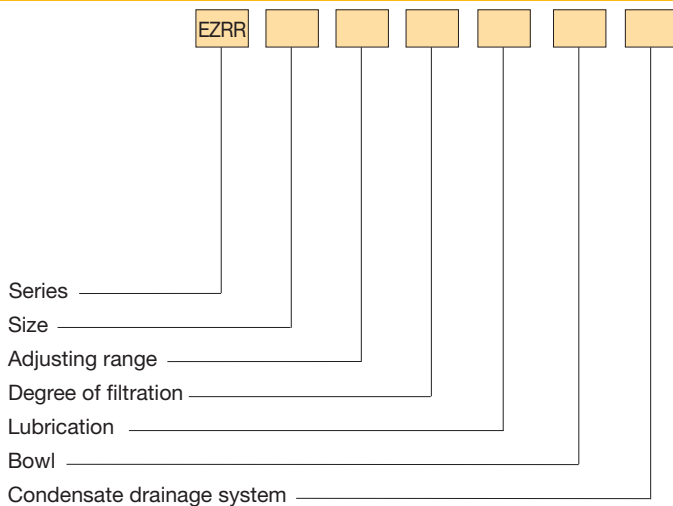
## DIMENSIONS AND WEIGHTS FR+L



4

SIZE	HA	HB	LA	LB	WEIGHT (g)
3	193	52	107	50	940
2	231	55	130	65	1065
1	337	76	167	82	4695

## ORDER KEY



SIZE	
3 G 3/8	2 G 1/2
1 G 1	
ADJUSTING RANGE	
/3 0,2 ÷ 2 bar	/5 0,4 ÷ 4 bar
/7 0,8 ÷ 8 bar	
DEGREE OF FILTRATION	
F5 5 μm*	F20 20 μm
F40 40 μm	
LUBRICATION	
L Oil mist (standard)	LCA Oil mist, N.O. electric contact
LCC Oil mist, N.C. electric contact	
BOWL	
Transparent	/PM Protection**
CONDENSATE DRAINAGE SYSTEM	
/SM Manual	/SS Semi-automatic
/SA Automatic***	

\* Available only for sizes 3 and 2

\*\* Metallic as standard for sizes 2 and 1, made of glass stiffened polyamide on request for size 3

\*\*\* Available only for sizes 2 and 1

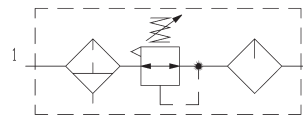
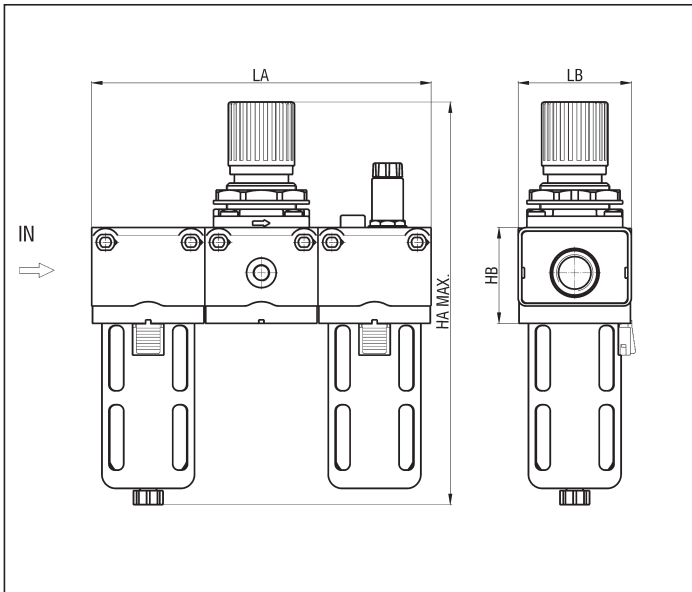
P.S.: Filters reducers + lubricators can be supplied without the relieving seal on request; the series becomes "EZR..."



### TECHNICAL DATA

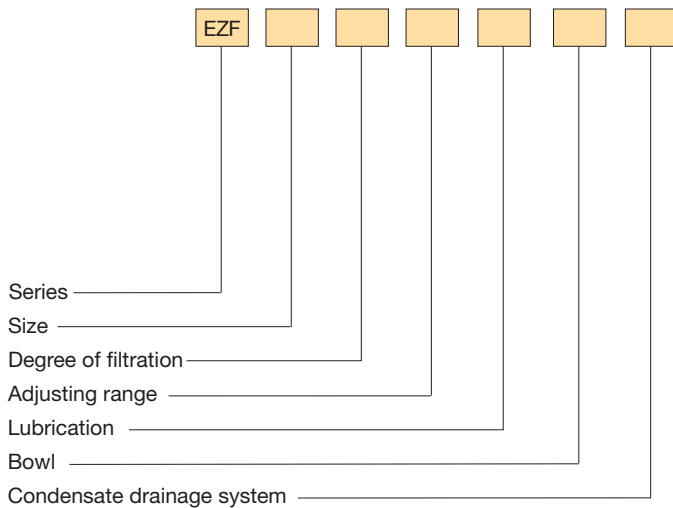
Maximum pressure	16 bar
Working temperature	0 ± +50 °C (-10 °C with dry air)
Fluid	Compressed air
Port size	G 3/8 - G 1/2 - G 1
Pressure gauge port size	G 1/8
Flow rate at 6 bar ΔP = 1 bar	G 3/8 = 680 NI/min G 1/2 = 1200 NI/min G 1 = 2300 NI/min
Wall clamping screws	G 3/8: M4x60 G 1/2: M5x70 G 1: M6x90

### DIMENSIONS AND WEIGHTS F+R+L



SIZE	HA	HB	LA	LB	WEIGHT (g)
3	193	52	159	50	1260
2	231	55	195	65	1345
1	337	76	249	82	6080

### ORDER KEY



SIZE	
3 G 3/8	2 G 1/2
1 G 1	
DEGREE OF FILTRATION	
/5 5 μm*	/20 20 μm
/40 40 μm	
ADJUSTING RANGE	
RR3 0,2 ÷ 2 bar	RR5 0,4 ÷ 4 bar
RR7 0,8 ÷ 8 bar	
LUBRICATION	
L Oil mist (standard)	LCA Oil mist, N.O. electric contact
LCC Oil mist, N.C. electric contact	
BOWL	
Transparent	/PM Protection**
CONDENSATE DRAINAGE SYSTEM	
/SM Manual	/SS Semi-automatic
/SA Automatic***	

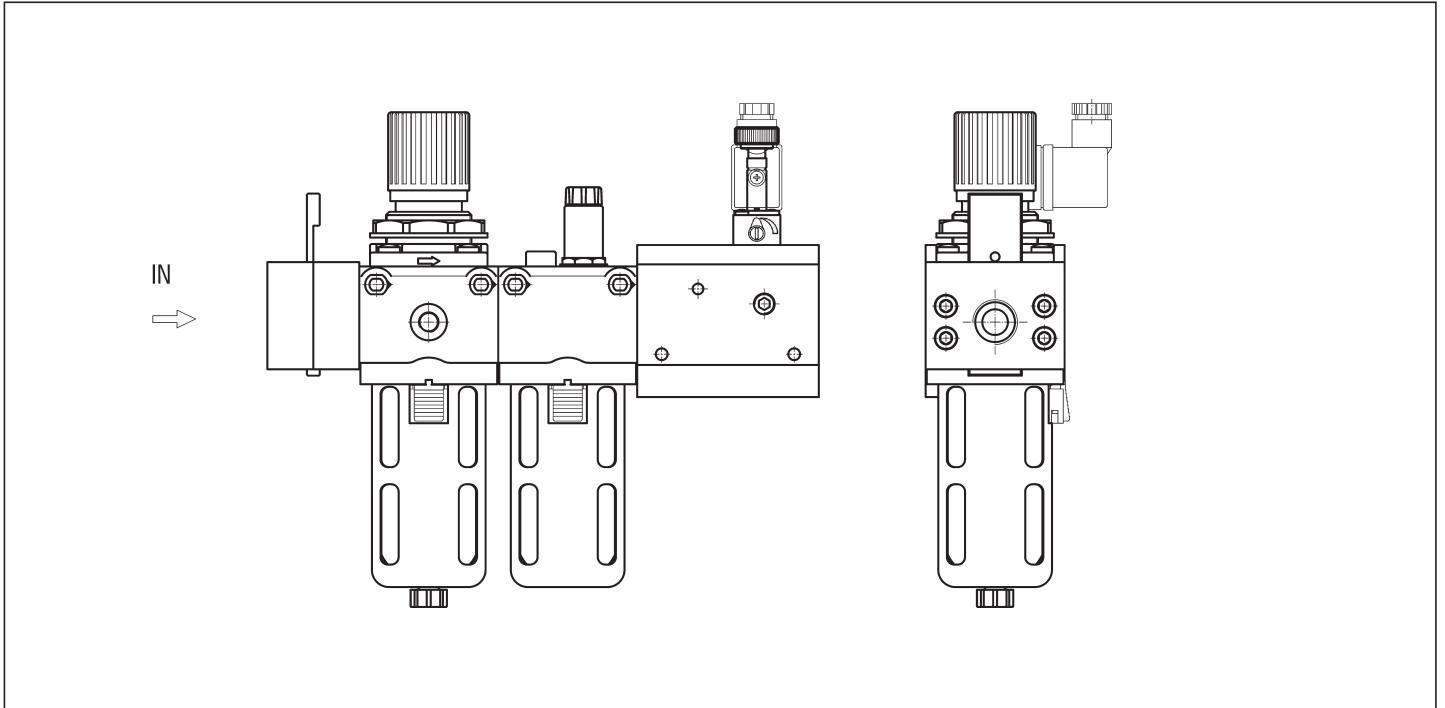
\* Available only for sizes 3 and 2

\*\* Metallic as standard for sizes 2 and 1, made of glass stiffened polyamide on request for size 3

\*\*\* Available only for sizes 2 and 1

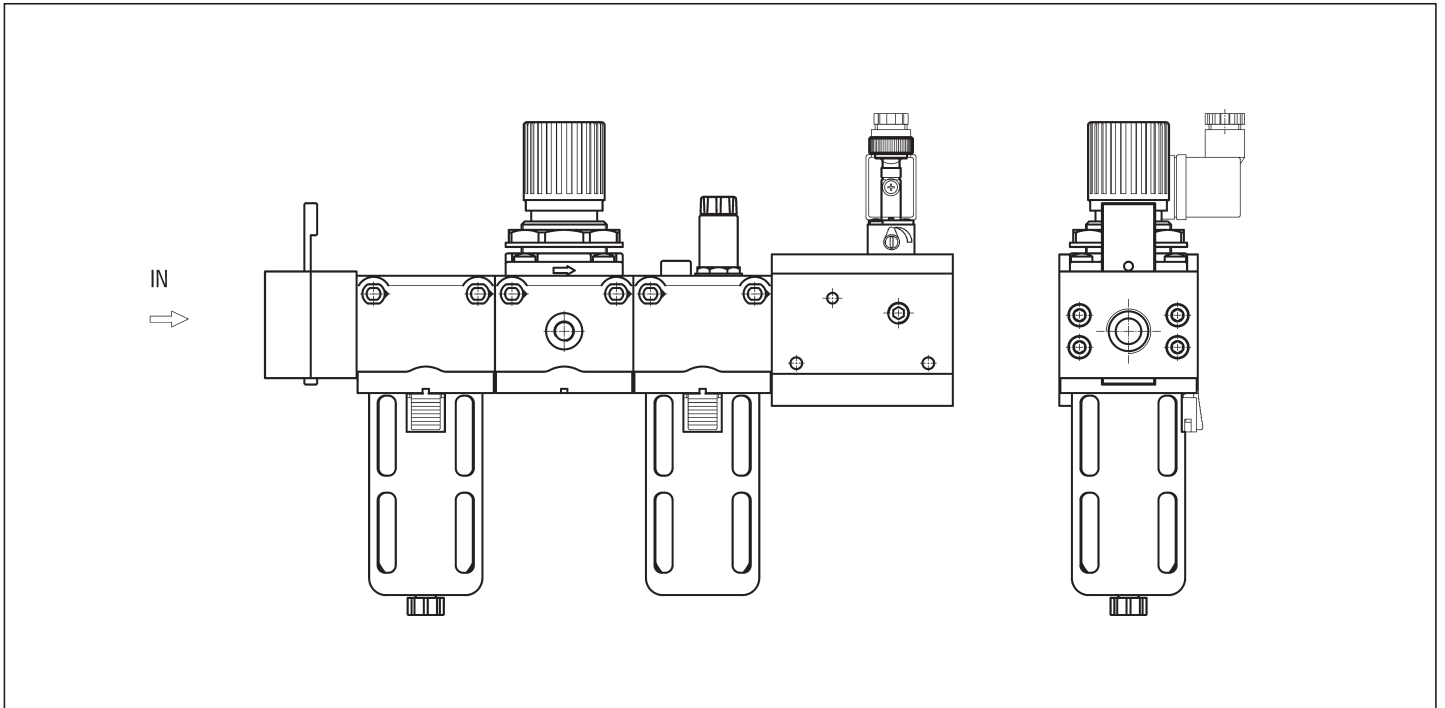
P.S.: Filters + reducers + lubricators can be supplied without the relieving seal on request; the adjusting range becomes "R" (rather than "RR")

SHUT-OFF VALVE + FILTER REDUCER + LUBRICATOR + SOFT-START VALVE



4

SHUT-OFF VALVE + FILTER + REDUCER + LUBRICATOR + SOFT-START VALVE



### DESCRIPTION

Filters series "EZF" are produced with connections G 3/8, G 1/2 and G 1; they are available with various degrees of filtration and with manual, semi-automatic or automatic condensate drainage system (except the size G 3/8). The techno-polymer bowls have a metallic protection as standard for the sizes G 1/2 and G 1, and made of glass stiffened polyamide on request for the size G 3/8.

### TECHNICAL DATA

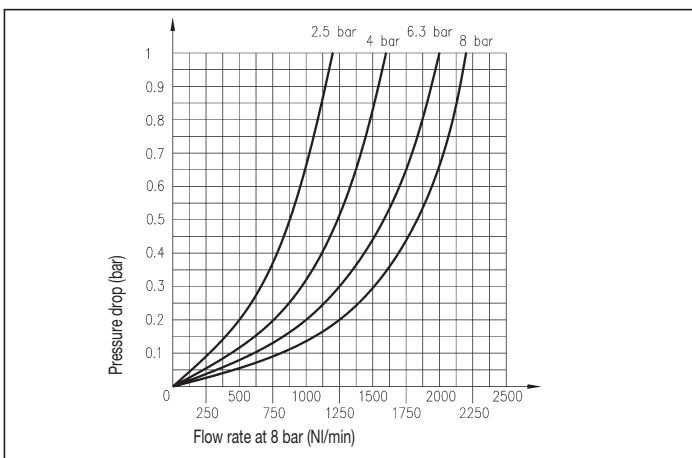
Maximum pressure	16 bar
Working temperature	0 ÷ +50 °C (-10 °C with dry air)
Fluid	Compressed air
Port size	G 3/8 - G 1/2 - G 1
Void fraction	G 3/8 - G 1/2: 20 µm standard; 5 µm or 40 µm on request G 1: 40 µm standard
Condensate drainage system	G 3/8: Manual or semi-automatic G 1/2 - G 1: Manual, semi-automatic or automatic
Max. condensate capacity	G 3/8 = 23 cm <sup>3</sup> G 1/2 = 58 cm <sup>3</sup> G 1 = 105 cm <sup>3</sup> (do not exceed the level gauge)
Type of mounting	Modular, in-line and wall-mounting
Wall clamping screws	G 3/8: M4x60 G 1/2: M5x70 G 1: M6x90



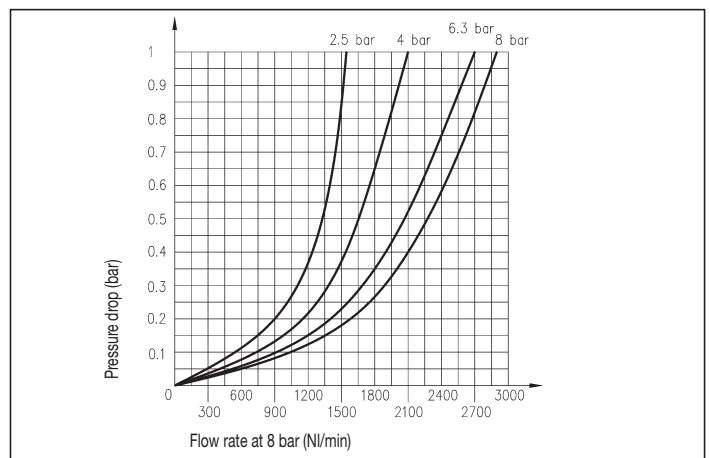
### MATERIALS

Body	Aluminium alloy
Bowl	G 3/8: Transparent techno-polymer (protection made of glass stiffened polyamide on request) G 1/2 - G 1: Transparent techno-polymer with metallic protection as standard
Filtering element	G 3/8 - G 1/2: Sintered polyethylene G 1: Sintered porous bronze
Seals	NBR rubber
Baffle	Acetal resin

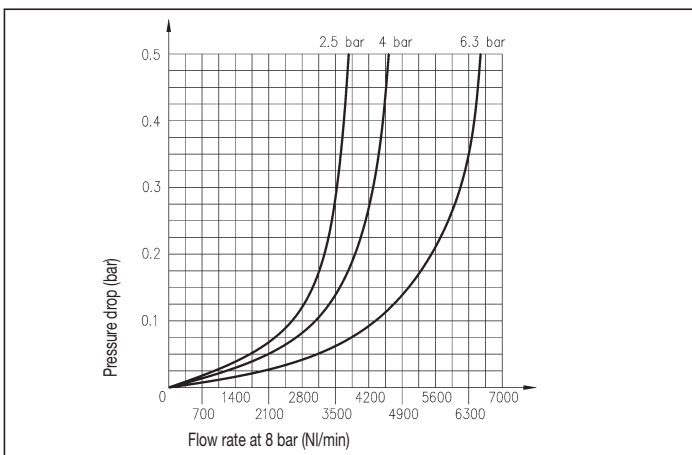
### FLOW CHART - EZF G 3/8



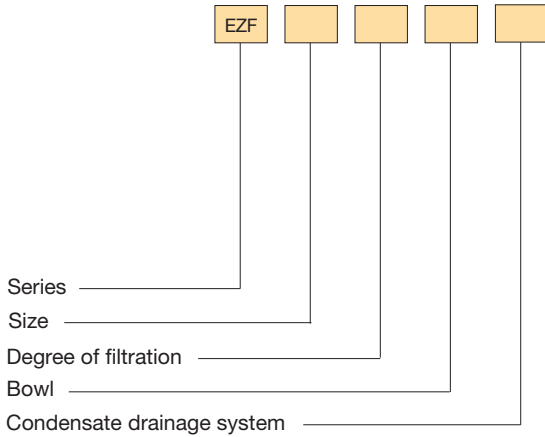
### FLOW CHART - EZF G 1/2



### FLOW CHART - EZF G 1



ORDER KEY



SIZE			
3	G 3/8	2	G 1/2
1	G 1		
DEGREE OF FILTRATION			
/5	5 µm*	/20	20 µm
/40	40 µm		
BOWL			
Transparent		PM	Protection**
CONDENSATE DRAINAGE SYSTEM			
/SM	Manual	/SS	Semi-automatic
/SA	Automatic***		

\* Available only for sizes 3 and 2

\*\* Metallic as standard for sizes 2 and 1, made of glass stiffened polyamide on request for size 3

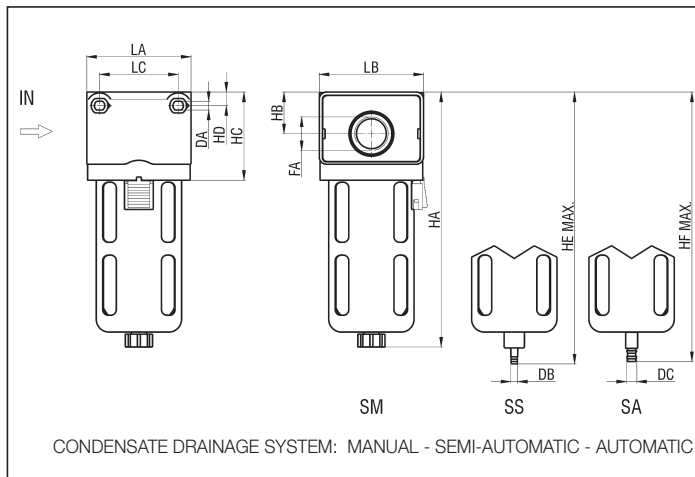
\*\*\* Available only for sizes 2 and 1

SPARE PARTS

DESCRIPTION	SIZE		
	3	2	1
Bowl protection	EZ3/PM	-	EZ1/PM
Techno-polymer bowl with manual drainage system*	EZT/F3/SM	EZT/F2/PM/SM	EZT/F1/SM
Techno-polymer bowl with semi-automatic drainage system*	EZT/F3/SS	EZT/F2/PM/SS	EZT/F1/SS
Techno-polymer bowl with automatic drainage system*	-	EZT/F2/PM/SA	EZT/F1/SA
Filter cartridge 5 µm	EZ3/5	EZ2/5	-
Filter cartridge 20 µm	EZ3/20	EZ2/20	EZ1/20
Filter cartridge 40 µm	EZ3/40	EZ2/40	EZ1/40

\* The bowls size 2 are supplied with metallic protection as standard

DIMENSIONS AND WEIGHTS EZF



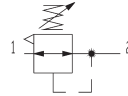
SIZE	DA	DB	DC	FA	HA	HB	HC	HD	HE	HF	LA	LB	LC	WEIGHT (g)
3	4,5	G 1/8	-	G 3/8	142	21	52	6	146	-	55	50	40	390
2	5,5	Ø 4,3	Ø 6,5	G 1/2	159	26	55	8,5	170	168	65	65	49	415
1	6,6	G 1/8	Ø 6,5	G 1	218	31	76	9	222	213	85	82	60	1815

### DESCRIPTION

Pressure reducers series "EZRR" are produced with connections G 3/8, G 1/2 and G 1; they are available with different scales of regulation and can be supplied without the relieving seal on request.

### TECHNICAL DATA

Maximum pressure	16 bar
Working temperature	0 ÷ +50 °C (-10 °C with dry air)
Fluid	Filtered, lubricated and unlubricated compressed air
Port size	G 3/8 - G 1/2 - G1
Pressure gauge port size	G 1/8
Adjusting range (bar)	0,2 ÷ 2 - 0,4 ÷ 4 - 0,8 ÷ 8
Type of mounting	Modular, in-line, wall and panel mounting
Wall clamping screws	G 3/8: M4x60 G 1/2: M5x70 G 1: M6x90

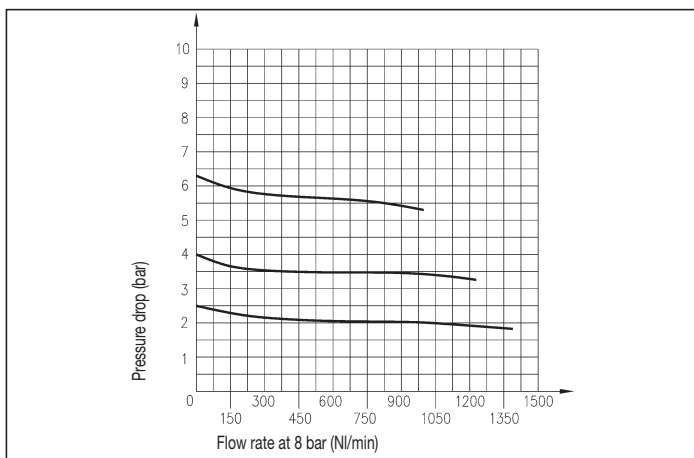


### MATERIALS

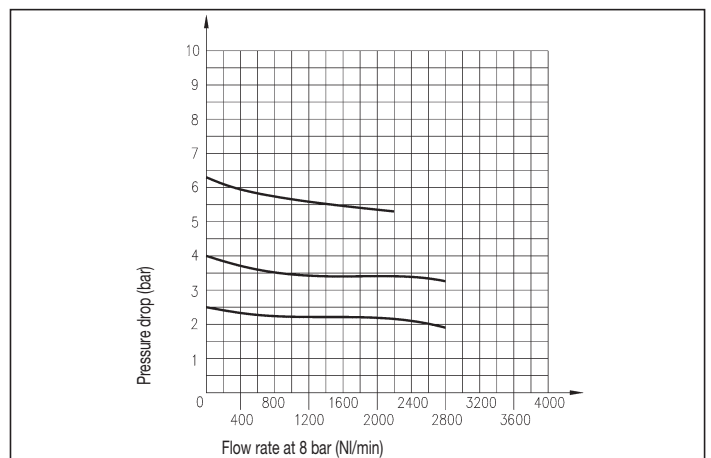
Body	Aluminium alloy
Closing plug	Brass, NBR rubber
Spring	Stainless steel
Knob	Acetal resin
Adjusting screw	Brass
Diaphragm	Brass, friction

4

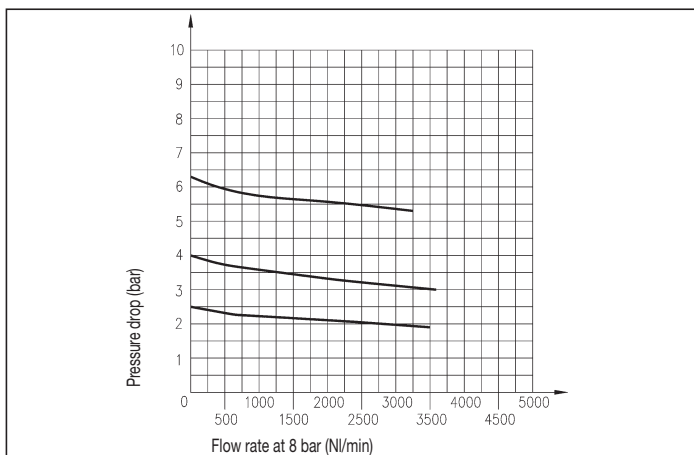
### FLOW CHART - EZRR G 3/8



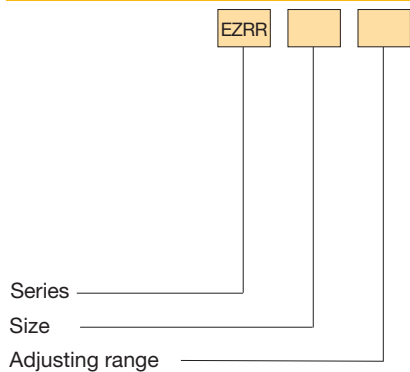
### FLOW CHART - EZRR G 1/2



### FLOW CHART - EZRR G 1



## ORDER KEY



## SIZE

<b>3</b>	G 3/8	<b>2</b>	G 1/2
<b>1</b>	G 1		

## ADJUSTING RANGE

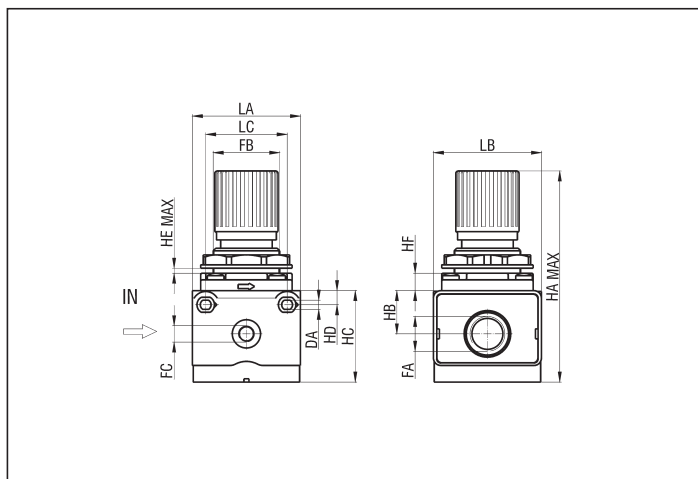
<b>/3</b>	0,2 ÷ 2 bar	<b>/5</b>	0,4 ÷ 4 bar
<b>/7</b>	0,8 ÷ 8 bar		

P.S.: Reducers can be supplied without the relieving seal on request; the series becomes "EZRR..."

## SPARE PARTS

Relieving kit adjustment size 3	EZRR3/SG/6
Relieving kit adjustment size 2	EZRR2/SG/6
Relieving kit adjustment size 1	EZRR1/SG/6

## DIMENSIONS AND WEIGHTS EZRR



SIZE	DA	FA	FB	FC	HA	HB	HC	HD	HE	HF	LA	LB	LC	WEIGHT (g)
3	4,5	G 3/8	M30x1,5	G 1/8	99	21	48	6	4	6	55	50	40	450
2	5,5	G 1/2	M40x1,5	G 1/8	127	26	55	8,5	7	10,5	65	65	49	465
1	6,6	G 1	-	G 1/8	194,5	31	76	9	-	14	85	82	60	2385